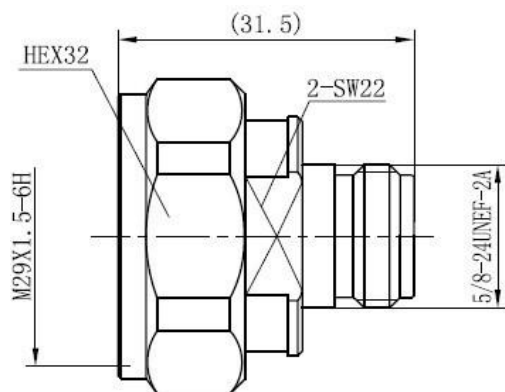


SPECIFICATION

DIN 7/16 MALE TO N FEMALE ADAPTOR



Item No.:7/16/N-JK-3A

Standard

IEC60169-4 / IEC60169-16

Electrical requirements

Impedance	50Ω
Frequency	DC~6GHz
VSWR	≤1.1
PIM3	≤-160dBc
Dielectric Withstanding Voltage	≥2500V rms, 50Hz
Dielectric Resistance	≥5000MΩ
Contact Resistance	Outer contact≤0.2mΩ Center contact≤0.4mΩ

Mechanical requirements

Durability ≥500Mating cycles

Material and plating

	Material	Plating
Body	Brass	Tri-alloy
Center conductor	Phosphor bronze	Ag
Insulator	PTFE	-
Other	Brass	Ni

Environmental

RoHS-compliance	Full RoHS compliance
Watertightness	IP67
Salt-fog test	96h
Temperature Range	-40°C~+85°C