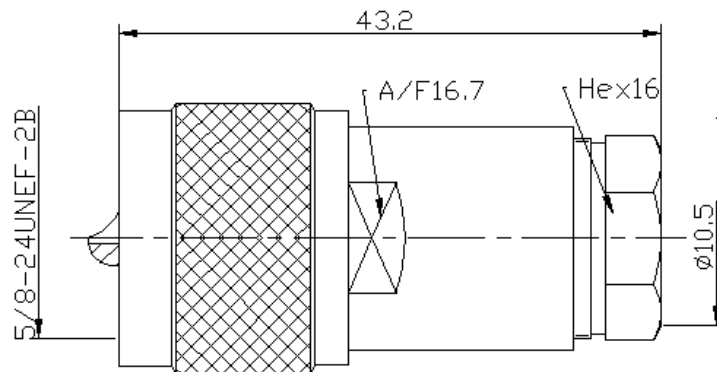


UHF(PL259) Male Clamp Connector For RG213 Cable(UHF-J213B)

(Contact attachment:Inner:soldering ;Outer:clamp)



Interface

According to

IEC 60169-12

Electrical

Characteristic Impedance

Non-Constant

Frequency Range

DC-300MHz

VSWR

≤ 1.15 @DC-300MHz

Dielectric Withstanding Voltage

$\geq 2000V$ RMS, 50Hz, at sea level

Working Voltage

$\leq 750V$ RMS, 50Hz, at sea level

Dielectric Resistance

$\geq 5000M\Omega$

Contact Resistance

Center Contact $\leq 5.0m\Omega$

Outer Contact $\leq 5.0m\Omega$

Mechanical

Durability

Mating cycles ≥ 500

Material and plating

	Material	Plating
Body	Brass	Ni
Insulator	PTFE	-
Center conductor	Phosphor bronze	Au
Coupling nut	Brass	Ni
Back nut	Brass	Ni
Thick washer	Brass	Ag
Thin washer	Brass	Ag
Cable clamp	Brass	Ag
Gasket	Silicone rubber	-

Environmental

Temperature Range

$-45^{\circ}C \sim +85^{\circ}C$

Protection Rate

IP 66

RoHS

Compliant

Notes: It can also be suited to RG8U,LMR400 or other equivalent cables.