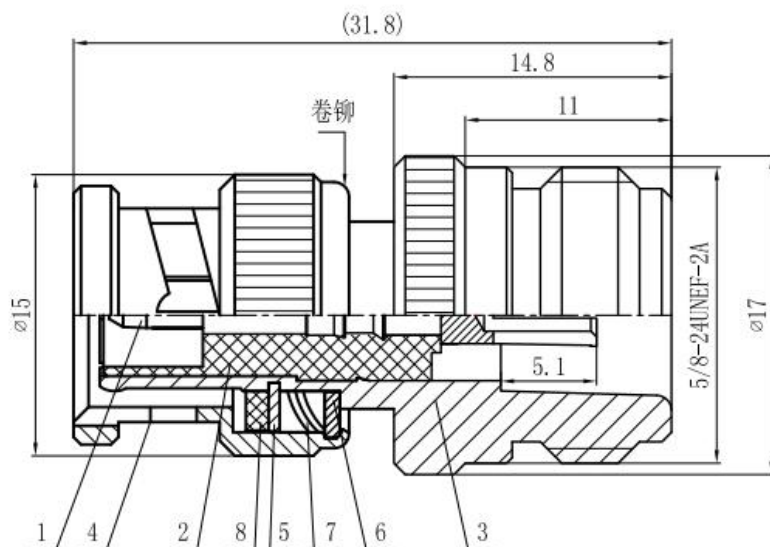


SPECIFICATION

BNC Male to N Female Adaptor



Item No.: N/BNC-KJ

Dimensions are in millimeters

Interface

According to

IEC 60169-8

IEC 60169-16

Electrical

Characteristic Impedance	50 ohm
Frequency Range	DC-3GHz
VSWR	≤ 1.10
Dielectric Withstanding Voltage	$\geq 1000V$ RMS,50Hz,at sea level
Dielectric Resistance	$\geq 5000M \Omega$
Contact Resistance	Center Contact $\leq 2m \Omega$ Outer Contact $\leq 2.5m \Omega$

Mechanical

Durability

Mating cycles ≥ 500 cycles

Material and plating

	Material	Plating
Body	Brass	Ni
Center conductor	Phosphor bronze	Au
Insulator	PTFE	-

Environmental

Temperature Range

$-40^{\circ}C \sim +85^{\circ}C$