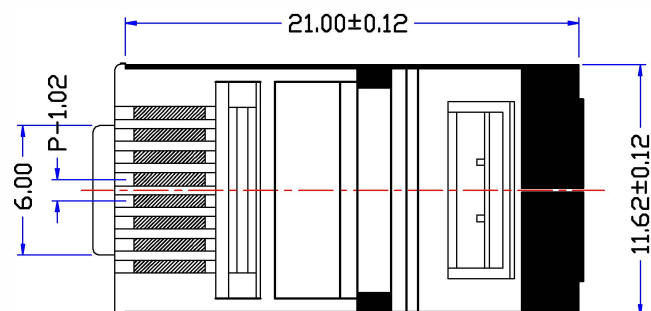
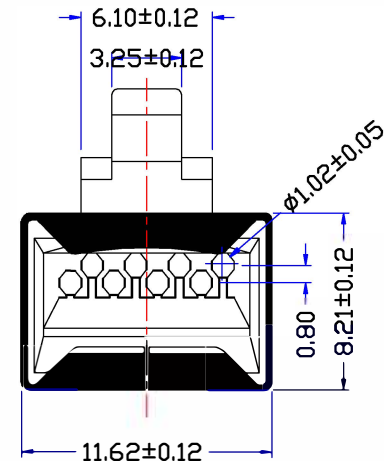
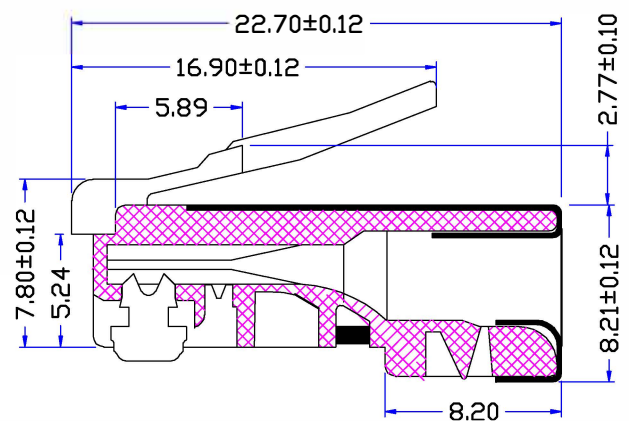
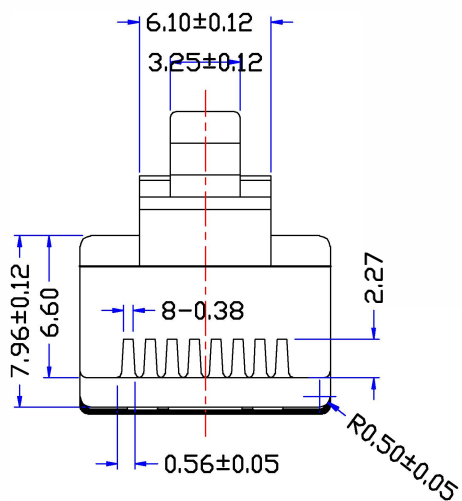


REV. MARK	ECN NO.	DATE	DRAW	APPROVE



**FEATURES:**

**1 Electrical Test:**

- A. 250V AC max at 2 amps.
- B. Dielectric with standing 500volts AC.
- C. Insulation Resistance: 500 megaohms.
- D. Termination Resistance: 35megaohms.

**2 Mechanical:**

- A. Cable-to-Plug tensile strength-20LBs (89N) min.
- B. Durability: 500 mating cycles.
- C. gold plating(口01, 口03, 口06, 口15, 口30, 50)U"

REV. 版本	A/0	DATE 日期	UNITS 单位	MM	TITLE 产品名称	8P8C(R)
DRAWN 绘图	<i>Diayao</i>	2013. 09. 01	SCALE 比例	FULL	PART NO. 产品编号	XL-514 MP8P8C CAT6屏蔽SHIELDED 双排屏蔽
APPROVED 审核	<i>Yyoub</i>	MATERIAL 材质	TOL. 公差	0.00 ±0.12	VIEW 视图	第三角法
FIRBRATING 防火等级	94V0	PC (聚碳酸酯)				