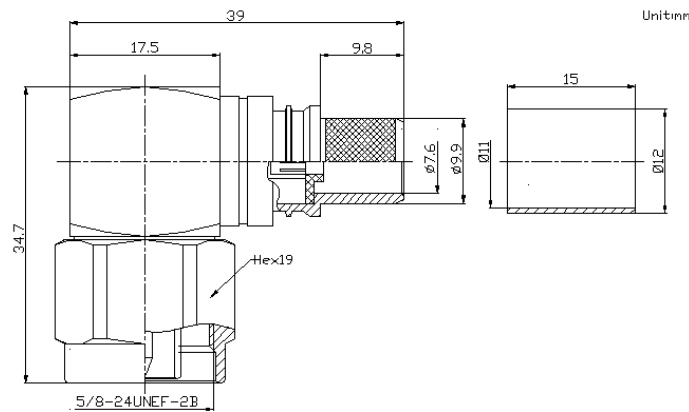


N Male Right Angle Crimp Connector For LMR400 Cable(N-C-JW400D)

(Contact attachment:Inner:captivated;Outer:crimp)



Interface

According to

IEC 60169-16

Electrical

Characteristic Impedance

50 ohm

Frequency Range

DC-11GHz

VSWR

≤ 1.25 @DC-3GHz; ≤ 1.30 @3-6GHz

Dielectric Withstanding Voltage

$\geq 2500V$ RMS, 50Hz, at sea level

Working Voltage

$\leq 1500V$ RMS, 50Hz, at sea level

Dielectric Resistance

$\geq 5000M\Omega$

Contact Resistance

Center Contact $\leq 1.0m\Omega$

Outer Contact $\leq 0.25m\Omega$

Mechanical

Durability

Mating cycles ≥ 500

Material and plating

	Material	Plating
Body	Brass	Tri-alloy
Insulator	PTFE	-
Center conductor	Phosphor bronze	Au
Coupling nut	Brass	Tri-alloy
Ferrule	Annealed copper	Tri-alloy
Gasket	Silicone rubber	-

Environmental

Temperature Range

$-45^{\circ}C \sim +85^{\circ}C$

Protection Rate

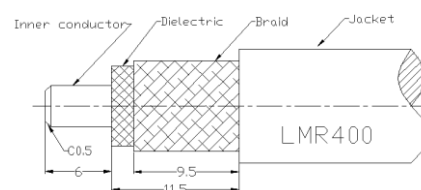
IP 67

RoHS

Compliant

Recommended stripped cable dimension

Crimp tool: .429"Hex



Notes: It can be suited to CommscopeCNT-400;RG8;Eupen EC400 ,WBC-400 or other equivalent cables ;One 40mm long heat shrink tube is available.