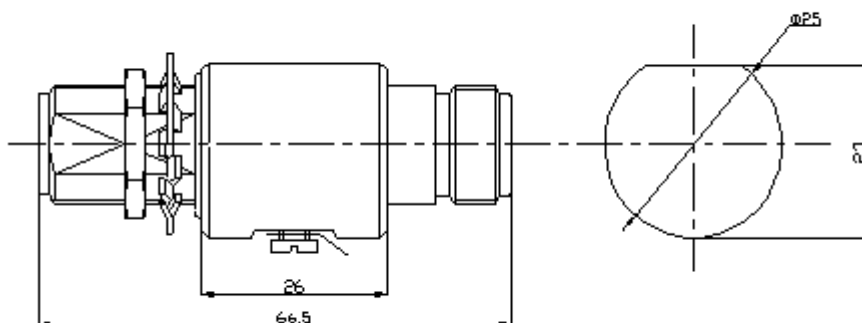


# Gas Discharge Tube Type Surge Arrester

N Female to N Female Bulkhead Port(P/N: N-KKY-3-230)



## Interface

According to IEC 60169-16

## Electrical

Characteristic Impedance

50 ohm

Dielectric Resistance

$\geq 5000 \text{ M}\Omega$

Contact Resistance

Center Contact  $\leq 1 \text{ m}\Omega$

Outer Contact  $\leq 1 \text{ m}\Omega$

Frequency Range

DC-3GHz

VSWR

$\leq 1.20 @ \text{DC-3GHz}$

Insertion Loss

$\leq 0.15 \text{ dB}$

Impulse Breakdown Voltage

$\leq 2500 \text{ V} (@ 1 \text{ kv}/\mu\text{s})$

DC Breakdown Voltage

$230 \pm 20\% (@ 100 \text{ v/s})$

AC Discharge Current

5A(50Hz)

Surge Discharge Current

5KA(8/20 $\mu\text{s}$ )

Peak RF Power

$< 200 \text{ W}$

Maximum withstand Current

20KA(8/20 $\mu\text{s}$ )

## Material and Plating

Parts Name

Material

Plating

Housing(Body)

Brass

Ni

Insulator

PTFE

—

Inner Conductor

Phosphor Bronze

Au (or Ag)

Nut

Brass

Ni

Washer

Annealed Copper

Ni

O-ring (Sealing)

Silicon Rubber

—

Grouding Component

Stainless Steel

—

## Environmental

Temperature Range

$-45^\circ\text{C} \sim +85^\circ\text{C}$

Weatherproof Rate

IP 67

Working Humidity

$< 85^\circ\text{C}/85\% \text{ RH-48hrs}$

RoHs Compliant