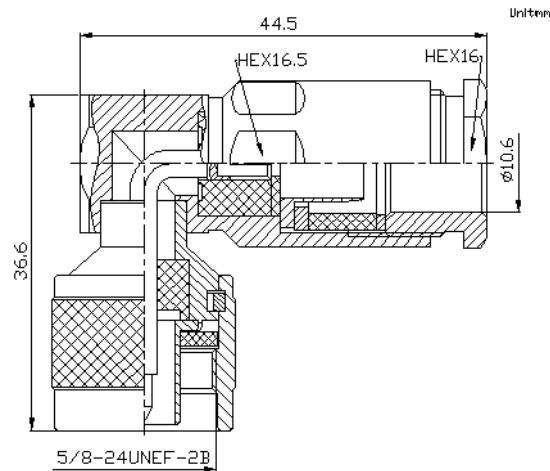


N Male Right Angle Clamp Connector For LMR400 Cable(N-JW400G)

(Contact attachment:Inner:captivated;Outer:clamp)



Interface

According to

IEC 60169-16

Electrical

Characteristic Impedance

50 ohm

Frequency Range

DC-11GHz

VSWR

≤ 1.20 @DC-3GHz; ≤ 1.30 @3GHz-6GHz

Dielectric Withstanding Voltage

$\geq 2500V$ RMS, 50Hz, at sea level

Working Voltage

$\leq 1000V$ RMS, 50Hz, at sea level

Dielectric Resistance

$\geq 5000M\Omega$

Contact Resistance

Center Contact $\leq 1.0m\Omega$

Outer Contact $\leq 0.25m\Omega$

Mechanical

Durability

Mating cycles ≥ 500

Material and plating

	Material	Plating
Body	Brass	Ni
Insulator	PTFE	-
Center conductor	Phosphor bronze	Ag
Coupling nut	Brass	Ni
Back nut	Brass	Ni
Thick washer	Brass	Ag
Thin washer	Brass	Ag
Braid clamp	Brass	Ag
Gasket	Silicone rubber	-

Environmental

Temperature Range

-45°C ~ +85°C

Protection Rate

IP 67

RoHS

Compliant

Notes:It can also be suited to RU400,CNT400,CE400 or other equivalent cables.