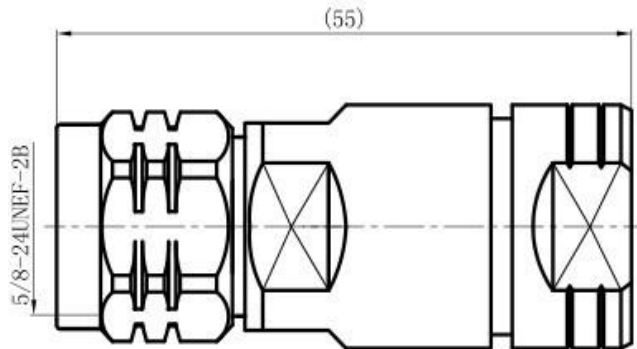


SPECIFICATION

N MALE CONNECTOR FOR 1/2" FEEDER CABLE



Part Number: NM-1/2

Dimensions are in millimeters

Interface

According to

IEC 60169-16

Electrical

Characteristic Impedance	50 ohm
Frequency Range	DC-11GHz
VSWR	$\leq 1.1(0-3G)$
PIM Intermodulation@2-tonex20w	≤ -158 dBc
Dielectric Withstanding Voltage	$\geq 2500V$ RMS,50Hz,at sea level
Dielectric Resistance	$\geq 5000M\Omega$
Contact Resistance	Center Contact $\leq 1.0m\Omega$ Outer Contact $\leq 1.0m\Omega$

Mechanical

Durability

Mating cycles ≥ 500 cycles

Material and Plating

	Material	Plating
Body	Brass	Tri-Alloy
Center conductor	Brass	Ag
Insulator	PTFE	-
Gasket	Silicone rubber	-
Other	Brass	Ni

Environmental

Temperature Range	-40°C ~ +85°C
Watertightness	IP67
RoHS-compliance	Full RoHS Compliance
Salt-fog test	96h