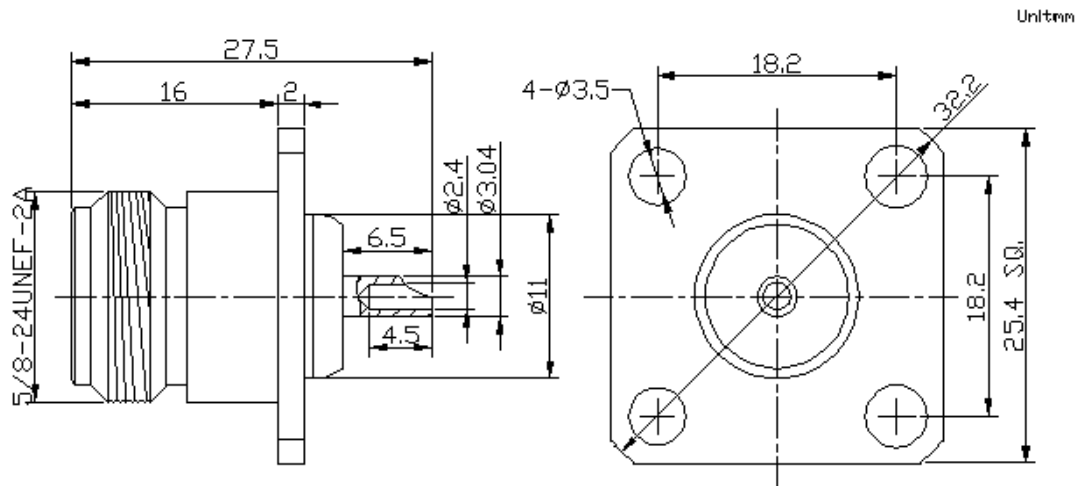


## N Female 25.4mm SQ Flange Mount Connector With Receptacle<sub>(N-KFR-B2)</sub>



### Interface

According to

IEC61169-16

### Electrical

Characteristic Impedance

50 ohm

Frequency Range

DC-11GHz

VSWR

$\leq 1.20$  @DC-6GHz

Insertion Loss

$\leq 0.05 \times \sqrt{f}$  (GHz) dB

Dielectric Withstanding Voltage

$\geq 2500V$  RMS, 50Hz, at sea level

Working Voltage

$\leq 1000V$  RMS, 50Hz, at sea level

Dielectric Resistance

$\geq 5000M\Omega$

Contact Resistance

Center Contact  $\leq 1.0m\Omega$

Outer Contact  $\leq 0.25m\Omega$

### Mechanical

Durability

Mating cycles  $\geq 500$

### Material and plating

	Material	Plating
Body	Brass	Ni
Insulator	PTFE	-
Center conductor	Phosphor bronze	Au

### Environmental

Temperature Range

$-55^{\circ}C \sim +155^{\circ}C$

Protection Rate

IP 67

RoHS

Compliant