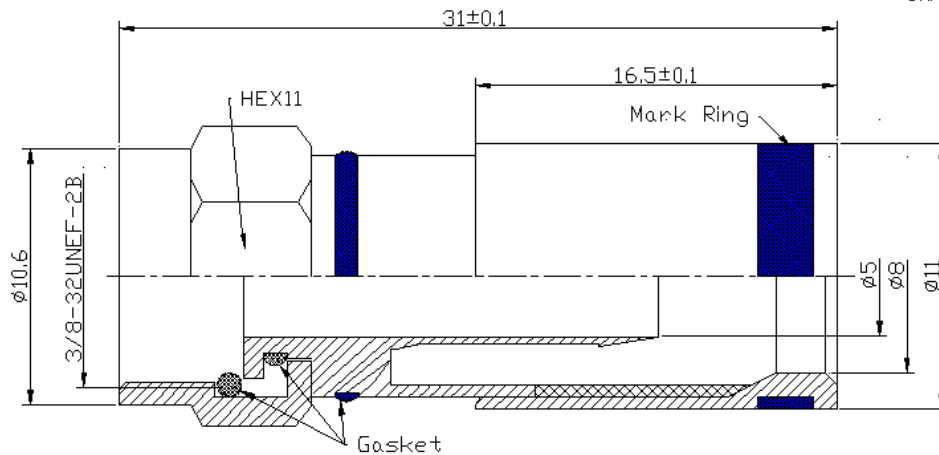


## F Compression Type Connector For RG6 Cable (F-CN-J6S12)

Unit:mm



### Interface

According to

IEC 61169-24

### Electrical

Characteristic Impedance

75 ohm

Frequency Range

DC-3GHz

VSWR

≤1.25 (depends on the cable)

Dielectric Withstanding Voltage

≥500V RMS, 50Hz, at sea level

Working Voltage

≤170V RMS, 50Hz, at sea level

Dielectric Resistance

≥1000MΩ

Contact Resistance

Center Contact ≤10mΩ

Outer Contact ≤5mΩ

### Mechanical

Pull-off Force

≥25Kg

Durability

Mating cycles ≥500

### Material and plating

	Material	Plating
Body	Brass	Ni
Coupling nut	Brass	Ni
Inner liner	Brass	Ni
Outer liner	POM	-
Gasket (black&blue)	Silicone rubber	-
Mark ring (blue)	Silicone rubber	-

### Environmental

Temperature Range

-45°C ~ +85°C

RoHS

Compliant

### Recommended stripped cable dimension

