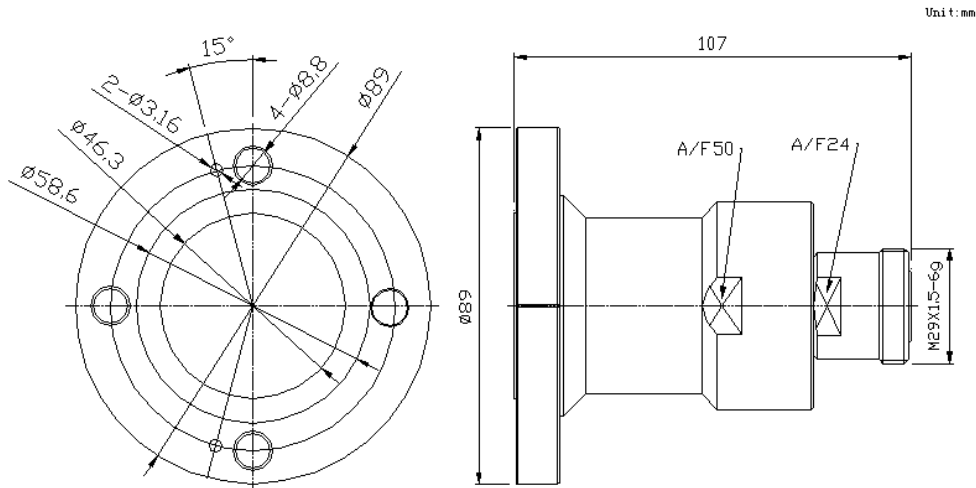


# 1-5/8" EIA (Flange) Connector to 7/16 DIN Female Connector Adaptor (13/8EIA/7/16-JKE1)



## Interface

According to

IEC 60339-2/IEC60169-4

## Electrical

Characteristic Impedance

50 ohm

Operating Frequency Range

DC-3GHz

VSWR

$\leq 1.07 @ DC-1000MHz$

Dielectric Withstanding Voltage

$\geq 6000V$  RMS, 50Hz, at sea level

Working Voltage

$\leq 2700V$  RMS, 50Hz, at sea level

Dielectric Resistance

$\geq 5000M\Omega$

Average Power

3.4KW@900MHz

Peak Power Maximum

90KW

Contact Resistance

Center Contact  $\leq 1.5m\Omega$  (EIA side)  $\leq 0.4m\Omega$  (7/16 side)

Outer Contact  $\leq 1.5m\Omega$  (EIA side)  $\leq 1.0m\Omega$  (7/16 side)

## Mechanical

Durability

Mating cycles  $\geq 100/500$

## Material and plating

	Material	Plating
Body	Brass	Ni
Insulator	PTFE	—
Center conductor	Phosphor bronze	Ag
Flange nut	Brass	Ni
Gasket	Silicone rubber	—
Hardware kits	Stainless steel	—

## Environmental

Operating Temperature Range

-45°C ~ +85°C

Protection Rate

IP 67

RoHS

Compliant

Notes: It includes one coupling element(bullet) for 1-5/8" EIA interface.

Hardware kits include:4 pieces of each bolt, nut, lock washer and flat washer for 1-5/8" EIA interface.