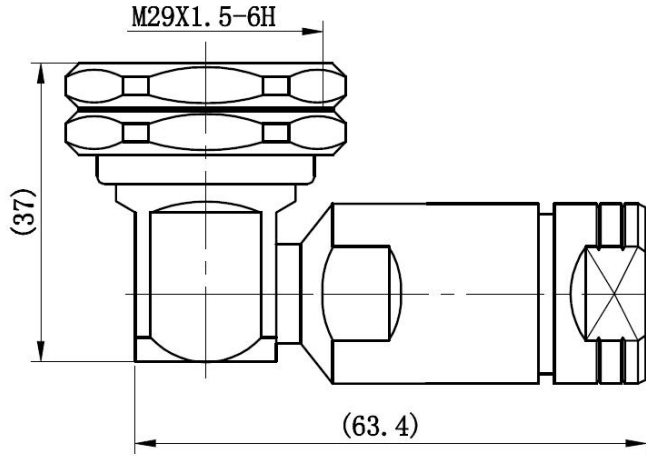


SPECIFICATION

7/16 MALE R/A CONNECTOR FOR 1/2" FEEDER CABLE



Part Number: 7/16MW-1/2

Dimensions are in millimeters

Interface

According to

IEC 60169-4

Electrical

Characteristic Impedance	50 ohm
Frequency Range	DC-7.5GHz
VSWR	$\leq 1.12(0-3G)$
PIM Intermodulation@2-tonex20w	≤ -160 dBc
Dielectric Withstanding Voltage	$\geq 4000V$ RMS,50Hz,at sea level
Dielectric Resistance	$\geq 10000M\Omega$
Contact Resistance	Center Contact $\leq 0.4m\Omega$ Outer Contact $\leq 0.2m\Omega$

Mechanical

Durability	Mating cycles ≥ 500 cycles
------------	---------------------------------

Material and Plating

	Material	Plating
Body	Brass	Tri-Alloy
Center conductor	Brass	Ag
Insulator	PTFE	-
Gasket	Silicone rubber	-
Other	Brass	Ni

Environmental

Temperature Range	$-40^{\circ}C \sim +85^{\circ}C$
Watertightness	IP67
RoHS-compliance	Full RoHS Compliance
Salt-fog test	96h