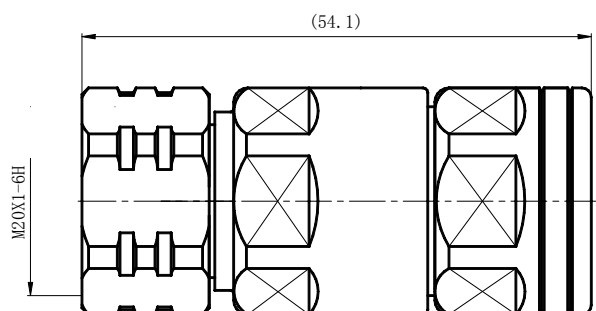


SPECIFICATION

4.3/10 MALE CONNECTOR FOR 1/2" FEEDER CABLE



Part Number: 4.3/10-J1/2

Dimensions are in millimeters

Interface

According to

IEC 61169-54

Electrical

Characteristic Impedance	50 ohm
Frequency Range	DC-12GHz
VSWR	≤1.1(0-3G)
PIM Intermodulation@2-tonex20w	≤-160 dBc
Dielectric Withstanding Voltage	≥2500V RMS,50Hz,at sea level
Dielectric Resistance	≥5000MΩ
Contact Resistance	Center Contact ≤1.0mΩ Outer Contact ≤1.0mΩ

Mechanical

Durability

Mating cycles ≥100 cycles

Material and Plating

	Material	Plating
Body	Brass	Tri-Alloy
Center conductor	Brass	Ag
Insulator	PTFE	-
Gasket	Silicone rubber	-
Other	Brass	Ni

Environmental

Temperature Range	-40°C ~ +85°C
Watertightness	IP67
RoHS-compliance	Full RoHS Compliance
Salt-fog test	96h