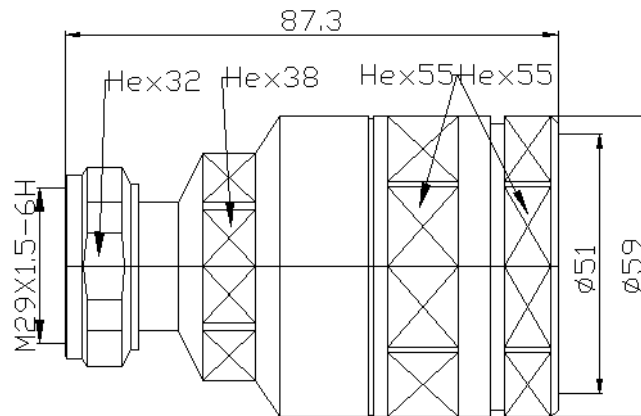


## 7/16 DIN Male Connector For 1-5/8" Feeder(flexible) Cable(DIN-J13/8F)

(Contact attachment:Inner:captivated ;Outer:clamp)



### Interface

According to

IEC 60169-4 /DIN47223/CECC22190

### Electrical

Characteristic Impedance

50 ohm

Frequency Range

DC-7.5GHz

VSWR

$\leq 1.15$ @DC-2.7GHz;  $\leq 1.25$ @2.7-3.7GHz

Insertion Loss

$\leq 0.10$ dB@2200MHz

Intermodulation 3rd

$\leq -155$ dBc@2  $\times$ 43dBm

Dielectric Withstanding Voltage

$\geq 4000$ V RMS,50Hz,at sea level

Working Voltage

$\leq 2700$ V RMS,50Hz,at sea level

Dielectric Resistance

$\geq 10000$ M $\Omega$

Contact Resistance

Center Contact  $\leq 0.4$ m $\Omega$

Outer Contact  $\leq 1.0$  m $\Omega$

### Mechanical

Durability

Mating cycles  $\geq 500$

### Material and Plating

	Material	Plating
Front body	Brass	Tri-alloy
Back body	Brass	Tri-alloy
Insulator	PTFE	—
Center conductor	Phosphor bronze	Ag
Outer contact	Phosphor bronze	Tri-alloy
Coupling nut	Brass	Tri-alloy
Back nut	Brass	Tri-alloy
Shield clamp	Brass	Tri-alloy
Gasket	Silicone rubber	—

### Environmental

Temperature Range

-45 $^{\circ}$ C ~ +85 $^{\circ}$ C

Protection Rate

IP 68

RoHS

Compliant