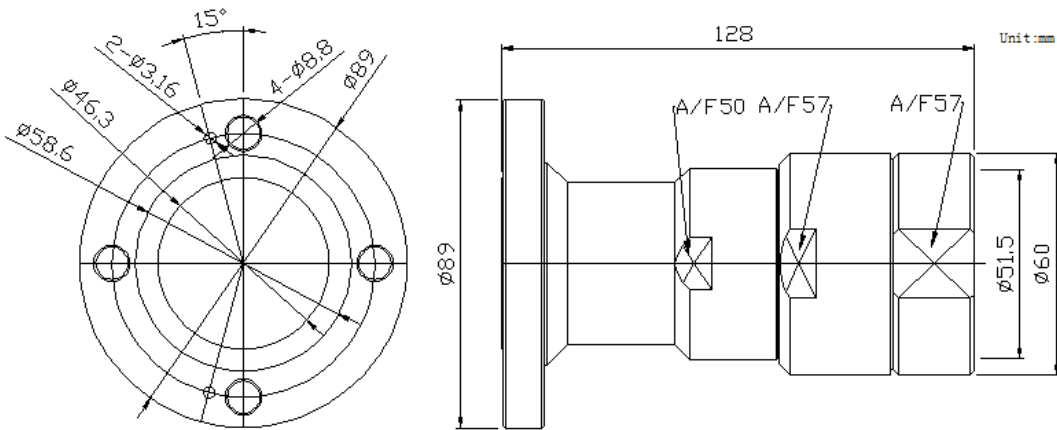


# 1-5/8" EIA (Flange) Connector For 1-5/8" Feeder(Flexible) Cable<sub>(13/8EIA-J13/8E1)</sub>

(Contact attachment:Inner:captivated ;Outer:clamp)



## Interface

According to

IEC 60339-2

## Electrical

Characteristic Impedance

50 ohm

Operating Frequency Range

DC-3GHz

VSWR

$\leq 1.07$ @DC-1000MHz

Dielectric Withstanding Voltage

$\geq 6000$ V RMS,50Hz,at sea level

Working Voltage

$\leq 2100$ V RMS,50Hz,at sea level

Dielectric Resistance

$\geq 5000$ M $\Omega$

Average Power

7.0KW@900MHz

Peak Power Maximum

90KW

Contact Resistance

Center Contact  $\leq 1.5$ m $\Omega$

Outer Contact  $\leq 1.5$ m $\Omega$

## Mechanical

Durability

Mating cycles $\geq 100$

## Material and plating

	Material	Plating
Body	Brass	Ni
Insulator	PTFE	—
Center conductor	Brass/Phosphor bronze	Ag
Coupling flange	Brass	Ni
Back nut	Brass	Ni
Cable clamp	Brass	Ni
Gasket	Silicone rubber	—
Hardware kits	Stainless steel	—

## Environmental

Operating Temperature Range

-45 $^{\circ}$ C ~ +85 $^{\circ}$ C

Protection Rate

IP 67

RoHS

Compliant