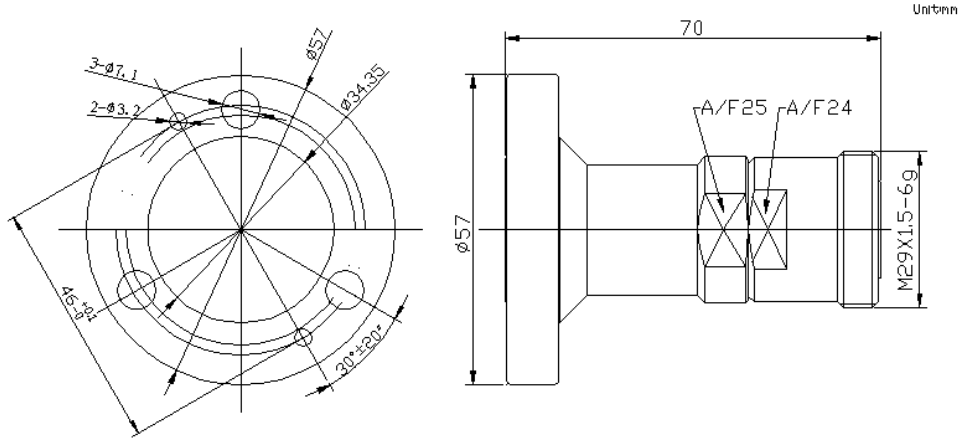


7/8" EIA (Flange) Connector to 7/16 DIN Female Connector Adaptor (7/8EIA/7/16-JKE1)



Interface

According to

IEC 60339-2/IEC60169-4

Electrical

Characteristic Impedance

50 ohm

Operating Frequency Range

DC-5GHz

VSWR

$\leq 1.07 @ DC-1000MHz$

Dielectric Withstanding Voltage

$\geq 6000V$ RMS,50Hz,at sea level

Working Voltage

$\leq 2100V$ RMS,50Hz,at sea level

Dielectric Resistance

$\geq 5000M\Omega$

Average Power

2.3KW@900MHz

Peak Power Maximum

9KW

Contact Resistance

Center Contact $\leq 1.5m\Omega$ (EIA side) $\leq 0.4m\Omega$ (7/16 side)

Outer Contact $\leq 1.5m\Omega$ (EIA side) $\leq 1.0m\Omega$ (7/16 side)

Mechanical

Durability

Mating cycles $\geq 100/500$

Material and plating

	Material	Plating
Body	Brass	Ni
Insulator	PTFE	—
Center conductor	Phosphor bronze	Ag
Coupling flange	Brass	Ni
Gasket	Silicone rubber	—
Hardware kits	Stainless steel	—

Environmental

Temperature Range

-45°C ~ +125°C

Protection Rate

IP 67

RoHS

Compliant