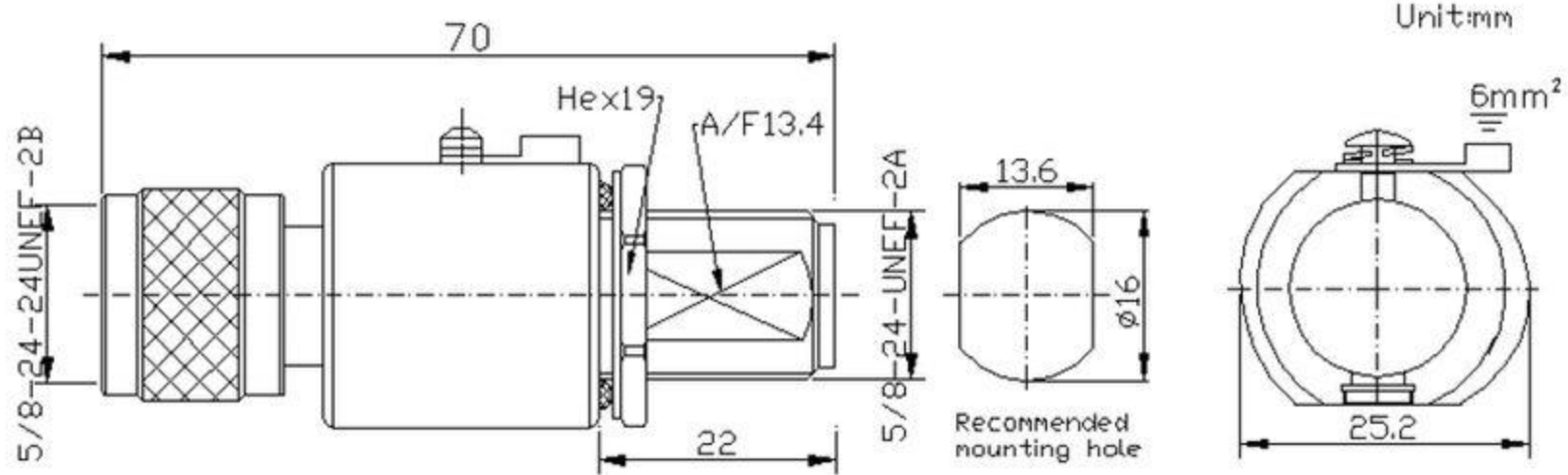


Gas Discharge Tube Type Lightning(Surge) Protector(Arrester)

With N Male to N Female Bulkhead Connector Port(LPGD-NJKY-3-230A)



Interface

According to IEC 61643-21

Electrical

Characteristic Impedance	50 ohm
Frequency Range	DC-3GHz
VSWR	≤1.20@DC-3GHz
Insertion Loss	≤0.15dB
Dielectric Resistance	≥5000 MΩ
Impulse Breakdown Voltage	≤2500V (@1kv/μs)
DC Breakdown Voltage	230±20%(@100v/s)
DC Discharge Current	≤5A(50Hz)
Surge Discharge Current	5KA(8/20μs)
Peak RF Power	< 200W
Maximum Withstand Current	20KA(8/20μs)

Material and Plating

Parts Name	Material	Plating
Housing(body)	Brass	Ni
Insulator	PTFE	—
Inner conductor	Phosphor bronze	Au
Fastening nut	Brass	Ni
Coupling nut	Brass	Ni
Washer	Annealed copper	Ni
Gasket (Sealing)	Silicon rubber	—
Grounding component	Stainless steel	—

Environmental

Temperature Range	-45°C ~ +85°C
Protection Rate	IP 67
Working Humidity	< 85°C/85% RH-48hrs
RoHS	Compliant