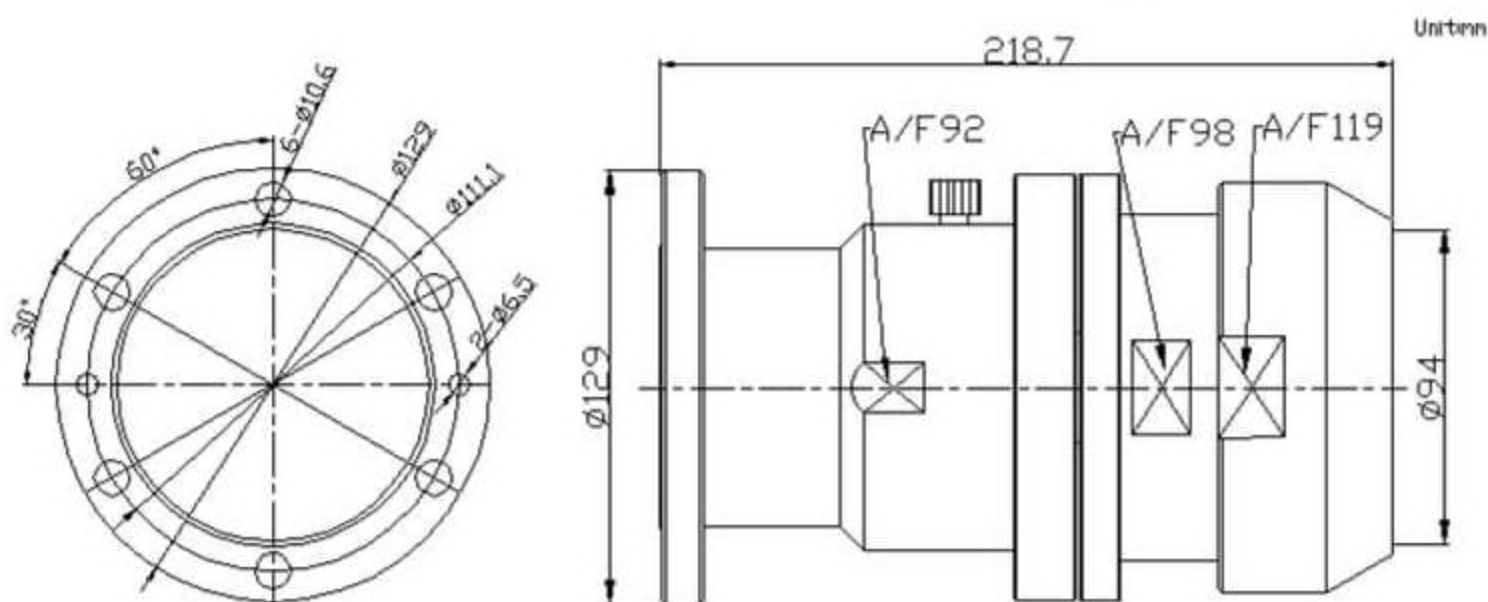


3-1/8" EIA (Flange) Connector For 3-1/8" Air Dielectric Coaxial Cable (25/8EIA-J25/8ADE)

(Contact attachment: Inner: screw; Outer: clamp)



Interface

According to

IEC 60339-2

Electrical

Characteristic Impedance

50 ohm

Operating Frequency Range

DC-1.6GHz

VSWR

$\leq 1.13 @ DC-1000MHz$

Dielectric Withstanding Voltage

$\geq 16000V$ RMS, 50Hz, at sea level

Working Voltage

$\leq 6000V$ RMS, 50Hz, at sea level

Dielectric Resistance

$\geq 5000M\Omega$

Average Power

23KW@900MHz

Peak Power Maximum

120KW

Contact Resistance

Center Contact $\leq 1.5m\Omega$

Outer Contact $\leq 1.5m\Omega$

Mechanical

Durability

Mating cycles ≥ 100

Material and plating

	Material	Plating
Body	Brass	Ni
Screw body	Brass	Ni
Insulator	PTFE	-
Center conductor	Phosphor bronze	Ag
Screw pin	Phosphor bronze	Ag
Coupling nut	Brass	Ni
Back nut	Brass	Ni
Air tap	Brass	Ni
Washer	Brass	Ni
Bolt	Stainless steel	-
Gasket	Silicone rubber	-
Hardware kits	Stainless steel	-

Environmental

Operating Temperature Range

-45°C ~ +85°C

Protection Rate

IP 67

RoHS

Compliant

Notes : Suited Cable: RFS HCA318-50 Air Dielectric cable

It includes one coupling element(bullet). Hardware kits include:6 pieces of each bolt, nut, lock washer and flat washer