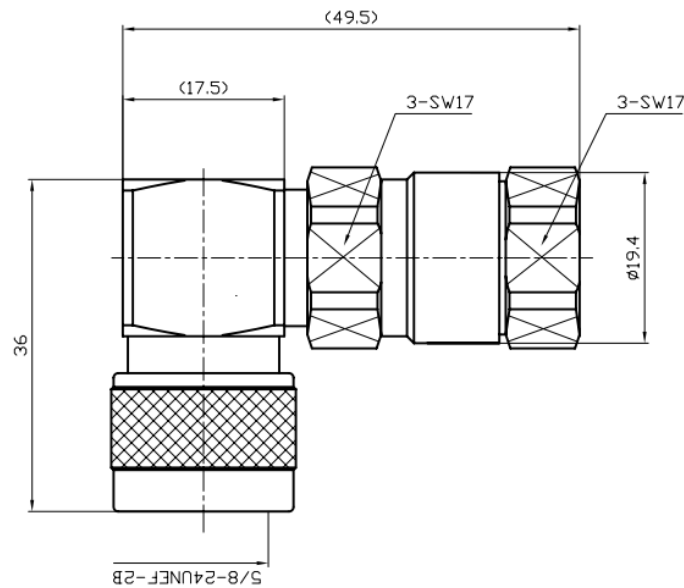


N Male Right Angle Connector For 1/2" Superflexible Cable(N-JW1/2SP)



Interface

According to

IEC 60169-16

Electrical

Characteristic Impedance

50 ohm

Frequency Range

DC-11GHz

VSWR

≤ 1.10 @DC-3000MHz

Dielectric Withstanding Voltage

$\geq 2500V$ RMS, 50Hz, at sea level

Dielectric Resistance

$\geq 5000M\Omega$

Contact Resistance

Center Contact $\leq 1.0m\Omega$

Outer Contact $\leq 0.25m\Omega$

Intermodulation 3rd (PIM3)

$\leq -157dBc$ @ $2 \times 20W$

Mechanical

Durability

Mating cycles ≥ 500

Material and plating

	Material	Plating
Body	Brass	Tri-alloy
Insulator	PTFE	—
Center conductor	Phosphor bronze	Ag
Coupling nut	Brass	Ni
Press ring	Brass	Ag
Cable clamp	Brass	Ni
Gasket	Silicone rubber	—

Environmental

Temperature Range

$-40^{\circ}C \sim +85^{\circ}C$

Waterproof Rate

IP 68

RoHS Compliant

Yes

Suited Cable: Andrew FSJ-50B,RFS SCF12-50,Leoni 1/2"S,Hansen RF5012S