

A4E350-AA06-01

# AC axial fan

straight blades (A series)



**ebm-papst Mulfingen GmbH & Co. KG**

Bachmühle 2

D-74673 Mulfingen

Phone: +49(0)7938/81-0

Fax: +49(0)7938/81-110

info1@de.ebmpapst.com

www.ebmpapst.com

## Nominal data

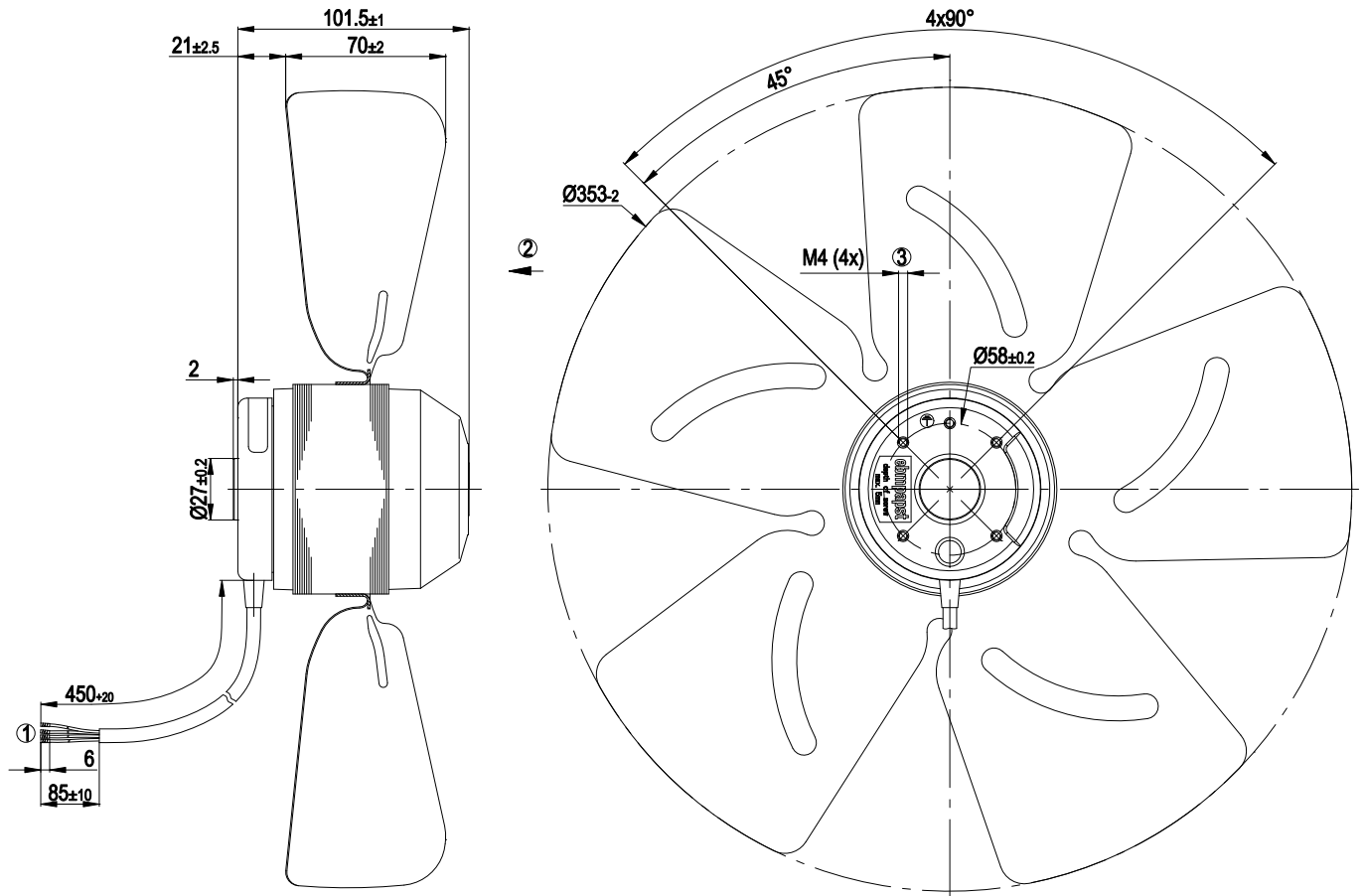
Type	A4E350-AA06-01			
Motor	M4E068-EC			
Phase		1~	1~	1~
Nominal voltage	[V]	230	230	230
Frequency	[Hz]	50	60	60
Type of data definition		rfa	rfa	rfa
Valid for approval / standard		CE	CE	UL
Speed	[min <sup>-1</sup> ]	1390	1550	1550
Power input	[W]	140	195	205
Current draw	[A]	0.62	0.86	0.9
Motor capacitor	[μF]	5	5	5
Capacitor voltage	[VDB]	400	400	400
Capacitor standard		P0 (CE)	P0 (CE)	UL
Max. back pressure	[Pa]	120	90	90
Max. ambient temperature	[°C]	50	30	30

ml = max. load · me = max. efficiency · rfa = running at free air · cs = customer specs · cu = customer unit  
Subject to alterations

## Technical features

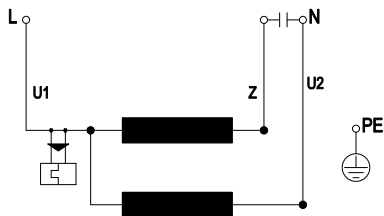
Leakage current	< 0.75 mA
Size	350 mm
Operation mode	S1
Direction of rotation	Counter-clockwise, seen on rotor
Mounting position	Shaft horizontal or rotor on bottom; rotor on top on request
Humidity class	F1-2
Direction of air flow	"V"
Insulation class	"B"
Cable exit	Lateral
Condensate discharge holes	Rotor-side
Bearing motor	Ball bearing
Mass	3.1 kg
Material of blades	Sheet steel, coated in black
Motor protection	Thermal overload protector (TOP) wired internally
Product conforming to standard	CE; EN 60335-1
Surface of rotor	Coated in black
Number of blades	5
Type of protection	IP 44
Protection class	I
Max. permissible ambient motor temp. (transp./ storage)	+ 80 °C
Min. permissible ambient motor temp. (transp./storage)	- 40 °C
Approval	CCC; GOST

## Product drawing



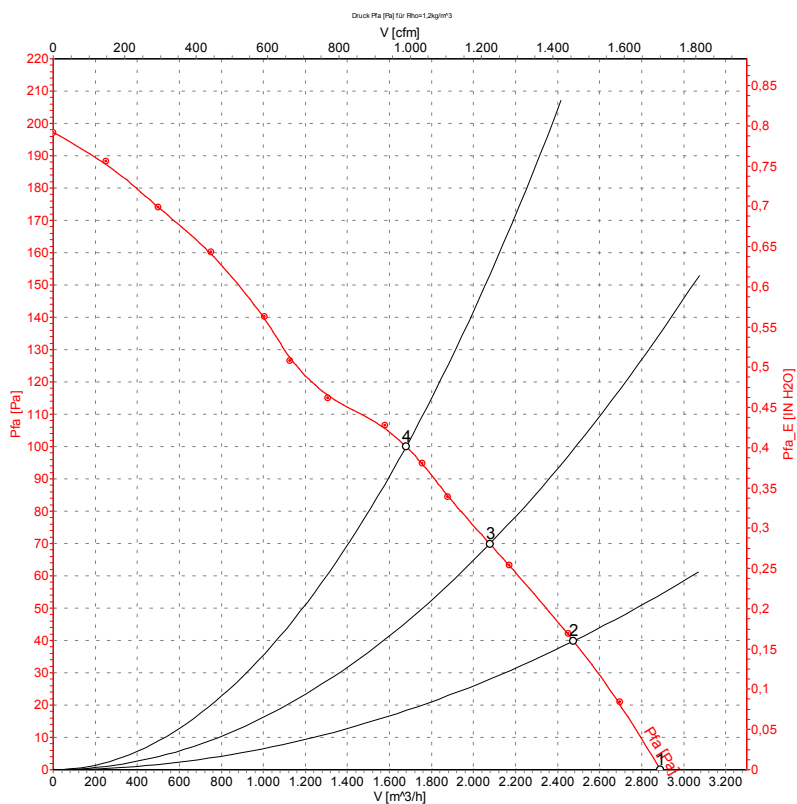
- |   |  |
|---|--|
| 1 | Connection line PVC 4G 0.5mm <sup>2</sup> , 4x brass lead tips crimped |
| 2 | Direction of air flow "V"  |
| 3 | Direction of rotation counter-clockwise, seen on rotor                 |

## Connection screen



U1	blue	Z	brown	U2	black
PE	green/yellow				

## Charts: Air flow 50 Hz

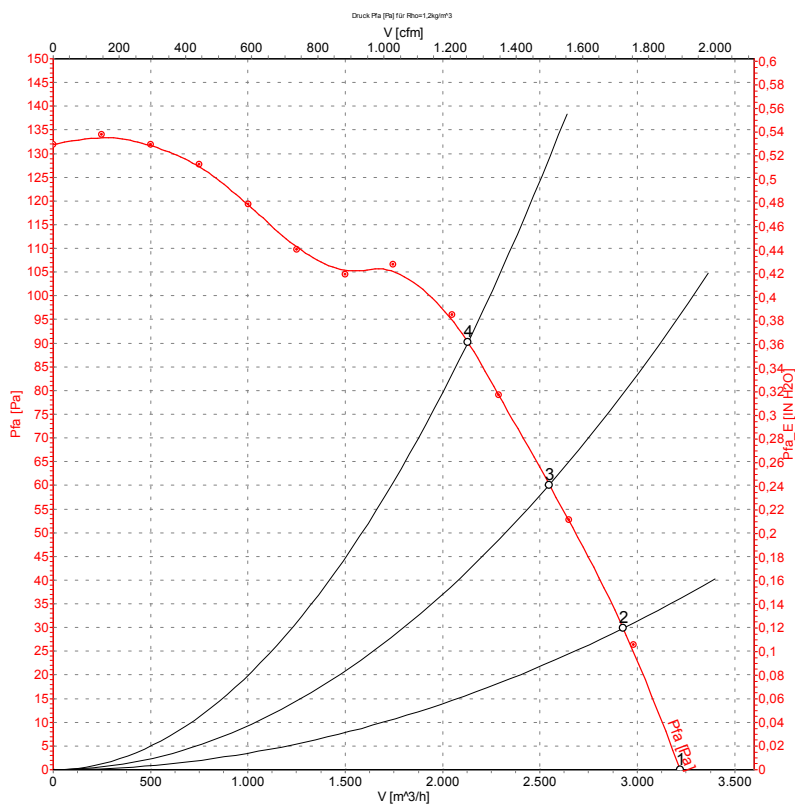


Measurement: LU-64421

## Measured values

	U	f	n	P <sub>1</sub>	I	$\hat{V}$	P <sub>fa</sub>
	[V]	[Hz]	[min <sup>-1</sup> ]	[W]	[A]	[m <sup>3</sup> /h]	[Pa]
1	230	50	1390	140	0.62	2890	0
2	230	50	1370	143	0.63	2475	40
3	230	50	1360	149	0.65	2080	70
4	230	50	1330	167	0.73	1680	100

## Charts: Air flow 60 Hz



Measurement: LU-64461

## Measured values

	U	f	n	P <sub>1</sub>	I	$\hat{V}$	P <sub>fa</sub>
	[V]	[Hz]	[min <sup>-1</sup> ]	[W]	[A]	[m <sup>3</sup> /h]	[Pa]
1	230	60	1550	195	0.86	3220	0
2	230	60	1520	202	0.88	2925	30
3	230	60	1495	210	0.91	2550	60
4	230	60	1475	216	0.94	2130	90