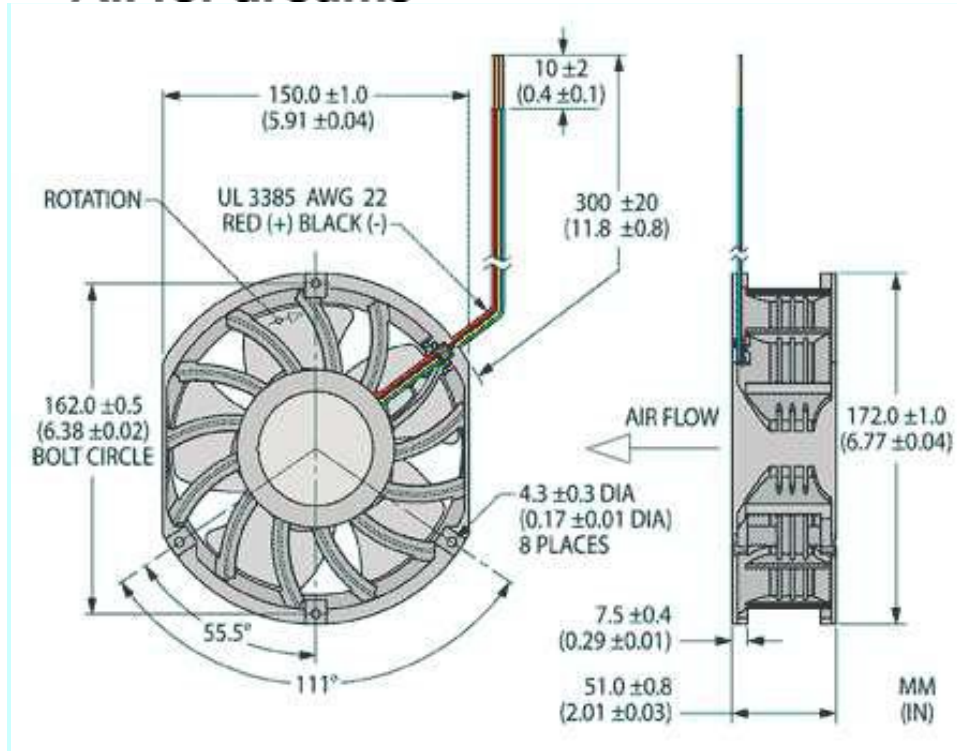




All for dreams



XV17L A5 Vane Axial Fans

172 x 150 x 51mm

Dimension Drawing



Operating and Performance Characteristics

Speed-Stable Model *	Air Flow (CFM)	Max. Static Pressure (inwg)	Nominal Voltage (V)	Voltage Range (V)	Current (A)	Input Power (W)	Fan Speed (rpm)	Sound Pressure (dBA)	Bearing	Operating Temperature Min/Max (°C)
XV17L48BGA5-01	346	1.77	48	40.8-55.2	1.12	53.8	5500	65.5	Dual Ball	-10/+50

* Monitor and control options, designated by the model name suffix, are described here.