

General Specifications

Motor Structure: Shaded Pole Induction Motor
Motor Protection: Impedance Protection
Insulation Resistance:
 10M Ω or over with a DC500V Megger
Dielectric Withstand Voltage: AC 700V 1s
Allowable Ambient Temperature Range:
 -10°C ~ +70°C (Operating)
 -40°C ~ +70°C (Storage)
 (non-condensing environment)

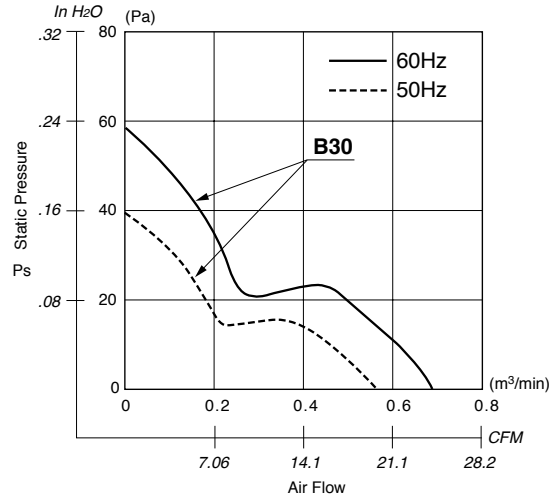
Expected Life

Failure Rate: 10%
 25°C 100,000 Hours

Material

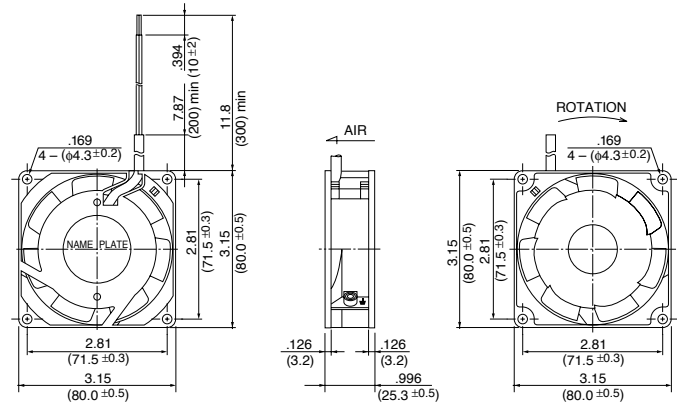
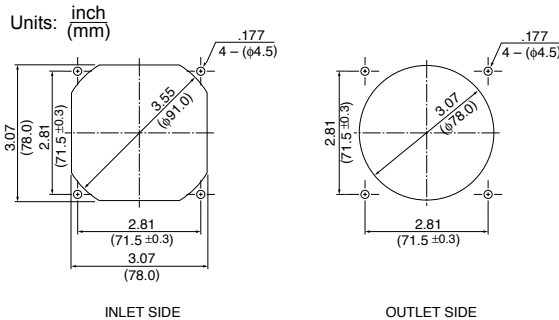
Casing : Aluminum
Impeller : Polycarbonate (Glass Fiber-Containing)
Bearing : Ball Bearing
Lead Wire : UL3266, CSA CL 1252, AWG22

Characteristic Curves



Outline

Panel Cut-Outs



Specifications

MODEL	Rated Voltage	Frequency	Starting Voltage	Current	Input Power	Speed	Max. Air Flow		Max. Static Pressure		Noise	Mass
	(V)	(Hz)	(V)	(A) ^{*1}	(W) ^{*1}	(min ⁻¹) ^{*1}	CFM	(m ³ /min) ^{*1}	in H ₂ O	(Pa) ^{*1}	(dB) ^{*1}	(g)
** 3110MS-20W-B30-B00	200	50	130	0.060	7.0	2500	20.1	0.57	0.15	39.0	24	240
** 3110MS-20W-B30-B00	200	60	130	0.050	6.0	3000	24.0	0.68	0.22	55.0	31	240
** 3110MS-22W-B30-B00	220	50	165	0.055	7.5	2500	20.1	0.57	0.15	39.0	24	240
** 3110MS-22W-B30-B00	220	60	165	0.045	6.5	3000	24.0	0.68	0.22	55.0	31	240
3110MS-23W-B30-A00	230	50	180	0.050	7.5	2500	20.1	0.57	0.15	39.0	24	240
3110MS-23W-B30-A00	230	60	180	0.045	6.5	3000	24.0	0.68	0.22	55.0	31	240
** 3110MS-24W-B30-A00	240	50	180	0.050	7.5	2500	20.1	0.57	0.15	39.0	24	240
** 3110MS-24W-B30-A00	240	60	180	0.045	6.5	3000	24.0	0.68	0.22	55.0	31	240

Rotation: Counterclockwise

Airflow Outlet: Air Out Over Struts

*1: Maximum Values in Free Air

** Contact NMB for Availability

*2: Average Values in Free Air

*3: Minimum Values in Free Air