

172×51mm

- ▶ High-Capacity Air Delivery at Elevated Pressure Levels
- ▶ 12V, 24V and 48V Models
- ▶ Round or STRAIGHTSIDE Frames
- ▶ Premium Performance Models with 3:1 Voltage Ranges and Constant Fan Speed
- ▶ Reverse Polarity Protection
- ▶ Alarm/Tachometer/Thermal Speed Control/PWM Speed Control Options
- ▶ Built-in Interactive Control Available
- ▶ Permanently Lubricated Ball Bearings
- ▶ Die-Cast Metal Housing with Thermoplastic Impeller Rated V-0
- ▶ Color-Coded 12-inch (305 mm) Leads or Spade-Pin Terminals



Speed-Stable Operation

Speed-regulated TA600DC models maintain constant operating speeds over wide segments of their supply voltage ranges:

12V models, 10.5V - 18V.

24V models, 21V - 36V.

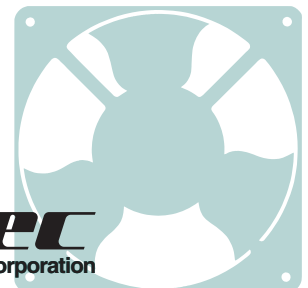
48V models, 42V - 75V.

TA600DC Series—Electrical and Mechanical Characteristics

Model	Air Flow (CFM)	Operating Voltage		Current (A)	Power (W)	Sound Level		Fan Speed (rpm)	Housing	Operating Temp.		L10 Life† (hours)
		Nom. (V)	Range (V)			Pressure (dBA)	NPEL (Bels)			Min. (°C)	Max. (°C)	
<i>Standard Models</i>												
A34692	240	12	7.0-14	1.85	22.2	56.3	6.6	3,350	Round	-10	+70	155,500
A34695	240	12	7.0-14	1.85	22.2	58.6	6.9	3,350	StraightSide	-10	+70	155,500
A34693	240	24	12-28	0.84	20.2	56.3	6.6	3,350	Round	-10	+70	155,500
A34696	240	24	12-28	0.84	20.2	58.6	6.9	3,350	StraightSide	-10	+70	155,500
A34694	240	48	24-56	0.42	20.2	56.3	6.6	3,350	Round	-10	+70	155,500
A34697	240	48	24-56	0.42	20.2	58.6	6.9	3,350	StraightSide	-10	+70	155,500
<i>Speed-Regulated Models</i>												
A34619	190	12	7.0-18	1.20	14.4	52.2	6.2	2,800	Round	-10	+70	162,200
A34620	190	24	12-36	0.60	14.4	52.2	6.2	2,800	Round	-10	+70	162,200
A34621	215	12	7.0-18	1.60	19.2	55.4	6.4	3,100	Round	-10	+70	158,500
A34453	240	12	7.0-18	1.85	22.2	56.3	6.6	3,350	Round	-10	+70	155,500
A34456	240	12	7.0-18	1.85	22.2	58.6	6.9	3,350	StraightSide	-10	+70	155,500
A34454	240	24	12-36	0.84	20.2	56.3	6.6	3,350	Round	-10	+70	155,500
A34457	240	24	12-36	0.84	20.2	58.6	6.9	3,350	StraightSide	-10	+70	155,500
A34455	240	48	24-75	0.42	20.2	56.3	6.6	3,350	Round	-10	+70	155,500
A34458	240	48	24-75	0.42	20.2	58.6	6.9	3,350	StraightSide	-10	+70	155,500
A34898	300	12	7.0-18	3.90	46.8	62.8	7.3	4,200	Round	-10	+70	145,500
A34899	300	12	7.0-18	3.90	46.8	65.7	7.6	4,200	StraightSide	-10	+70	145,500
A34897	300	24	12-36	1.70	40.8	62.8	7.3	4,200	Round	-10	+70	145,500
A34876	300	24	12-36	1.70	40.8	65.7	7.6	4,200	StraightSide	-10	+70	145,500
A34547	300	48	24-75	0.85	40.8	62.8	7.3	4,200	Round	-10	+70	145,500
A34548	300	48	24-75	0.85	40.8	65.7	7.6	4,200	StraightSide	-10	+70	145,500

Note: Air flow, current, power, speed and sound level ratings are at nominal voltage against zero static pressure. NPEL = Noise Power Emission Level. Power termination, control and signal options are designated by two-digit suffixes added to the model names: For color-coded 12-inch power leads with stripped ends, add "-16" to the model numbers. For spade-pin power terminals 0.110 inches wide and 0.020 inches thick, add suffix "-10" to the models number.

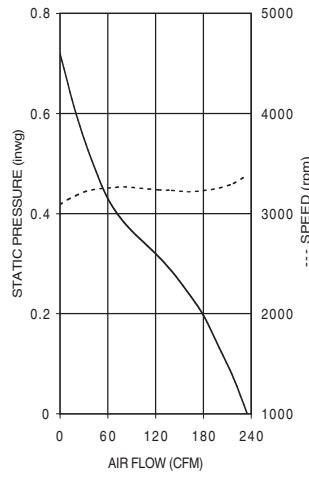
† L10 bearing life expectancy at $T_A = +40^\circ\text{C}$, nominal voltage. Failure criteria for life testing that establishes this figure include a 15% reduction in fan speed or a 5 dBA increase in sound pressure.



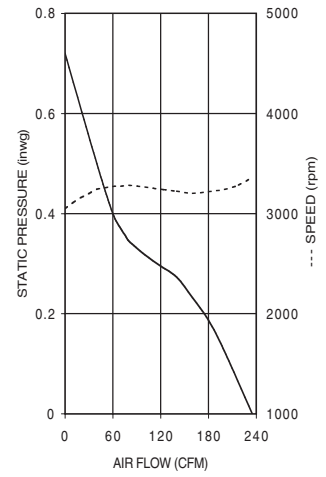
Nidec
Nidec America Corporation

172x51mm

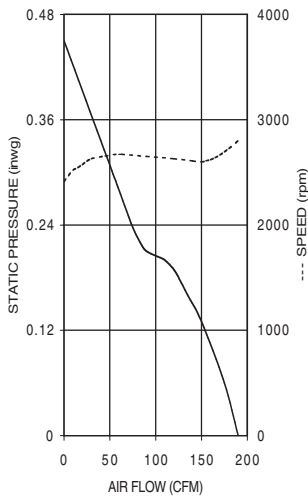
TA600DC Air Performance Characteristics



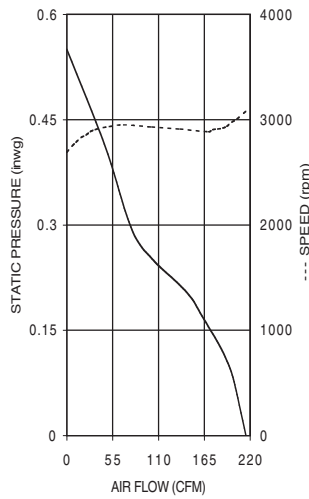
A34692/A34693/A34694



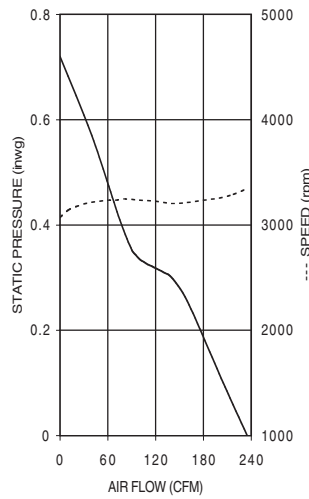
A34695/A34696/A34697



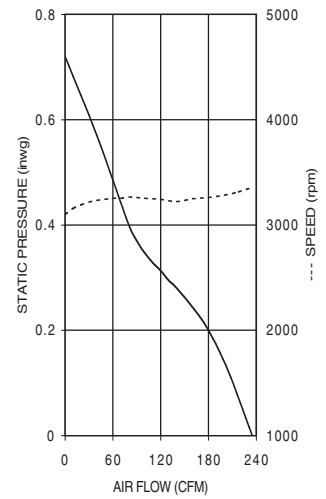
A34619/A34620



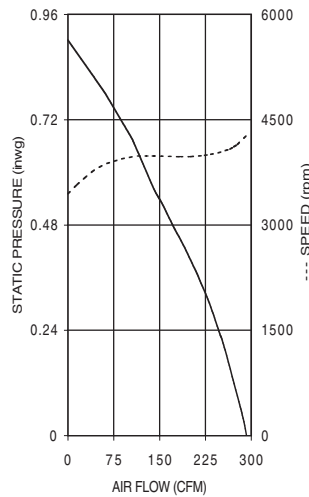
A34621



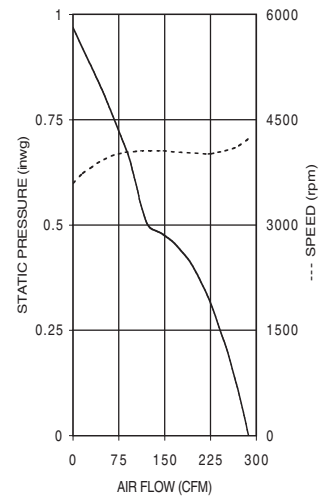
A34453/A34454/A34455



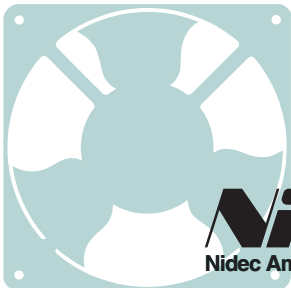
A34456/A34457/A34458



A34898/A34897/A34547



A34899/A34876/A34548

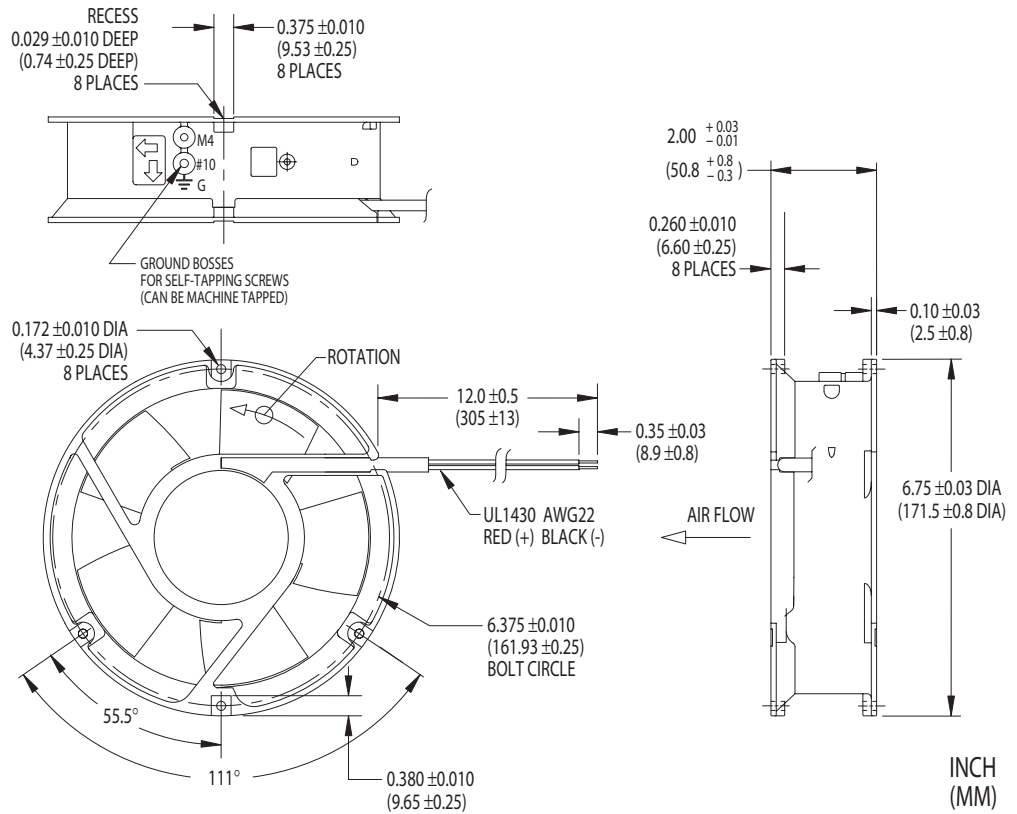


Nidec
Nidec America Corporation

phone 781-848-0970 · email fans@nidecamerica.com · www.nidecamerica.com

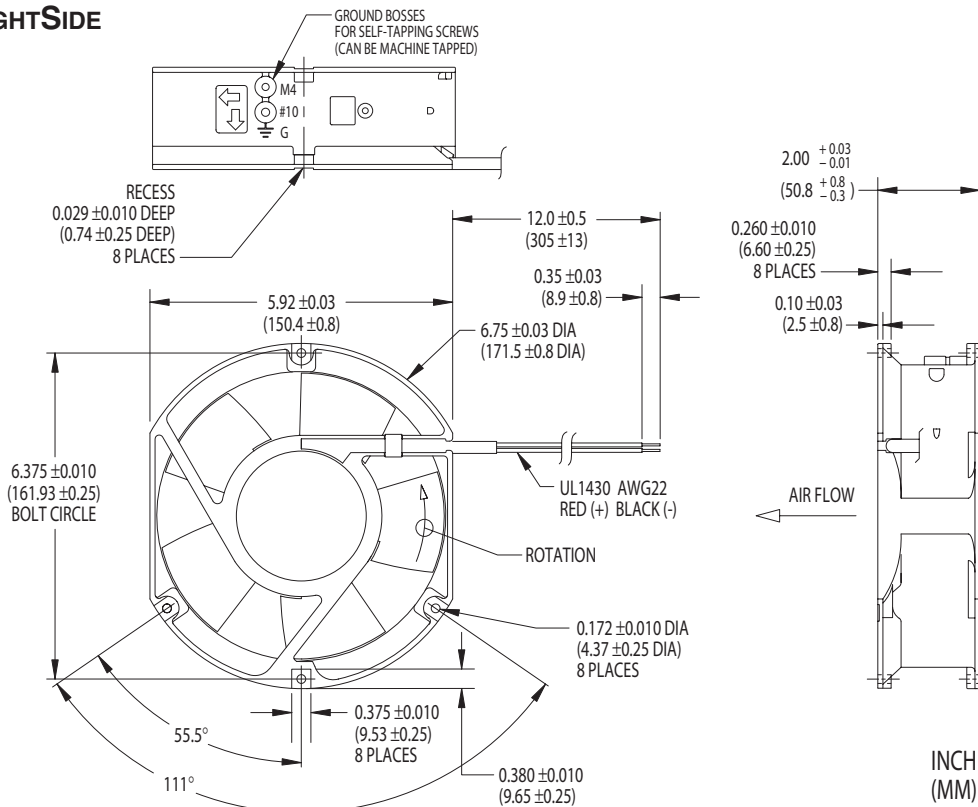
172x51mm

ROUND



Unit weight = 21.2 oz. (600g)

STRAIGHTSIDE



Unit weight = 21 oz. (595g)

