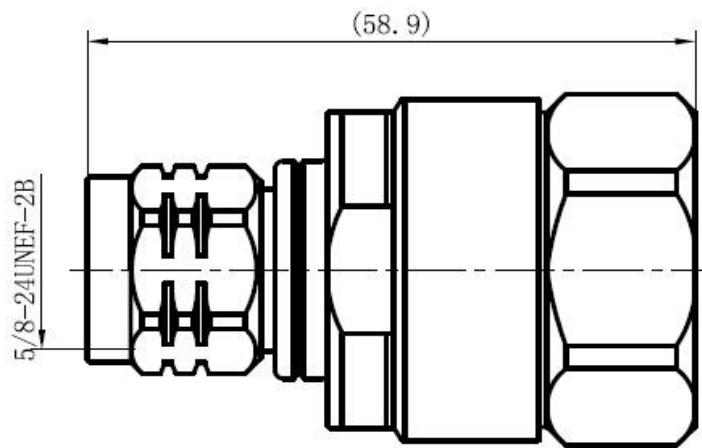


# SPECIFICATION

## N STRAIGHT PLUG CONNECTOR FOR 7/8" CABLE



Part Number.: NM-7/8

Dimensions are in millimeters

### Connectors Interface

According to

IEC 60169-16

### Electrical

Characteristic Impedance	50 ohm
Frequency Range	DC-3GHz
VSWR	$\leq 1.08$
Dielectric Withstanding Voltage	$\geq 2500V$ RMS,50Hz,at sea level
Dielectric Resistance	$\geq 5000M\Omega$
Contact Resistance	Center Contact $\leq 1.0m\Omega$ Outer contact $\leq 0.5m\Omega$
PIM	$\leq -160dBc@2*20W$

### Mechanical

Durability	Mating cycles $\geq 500$
------------	--------------------------

### Material and plating

	Material	plating
Body	Brass	Tri-Alloy
Insulator	PTFE	-
Center conductor	Brass	Ag
O-ring	Silicon rubber	-

### Environmental

Temperature Range	$-40^{\circ}C \sim +85^{\circ}C$
-------------------	----------------------------------