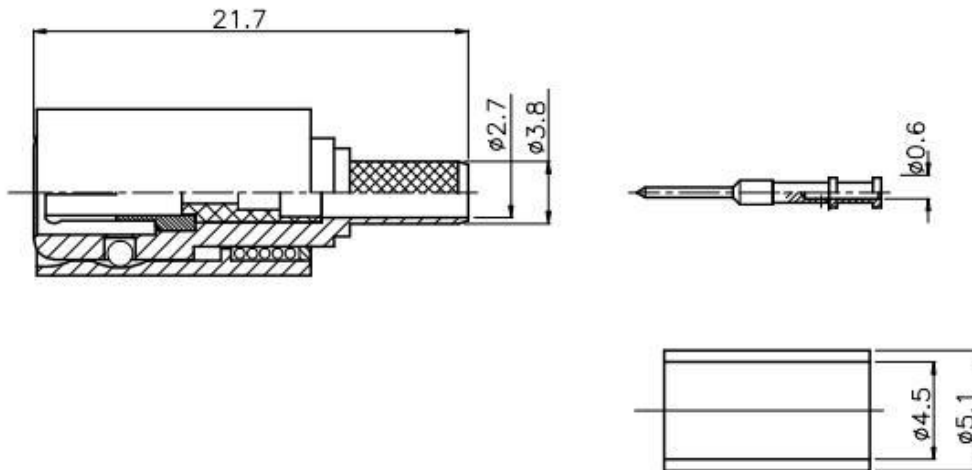


1.0/2.3 Male Straight Crimp Connector For Flex-3 Cable(CC4-C-JFlex3B)



Interface

According to

IEC 61169-29;CECC 22230;DIN47297

Electrical

Characteristic Impedance

75 ohm

Frequency Range

DC-2GHz

VSWR

≤ 1.30 @DC-1GHz

Dielectric Withstanding Voltage

750 V R.M.S,At sea level

Working Voltage

350 V R.M.S,at sea level

Dielectric Resistance

$\geq 1000M\Omega$

Contact Resistance

Center Contact $\leq 4m\Omega$

Outer Contact $\leq 2.5m\Omega$

Mechanical

Durability

Mating cycles ≥ 500

Material and plating

	Material	Plating
Body	Brass	Ni
Insulator	PTFE	—
Center conductor	Phosphor bronze	Au
Resilient Contact	Beryllium bronze	Au
Spring	Stainless steel	—
Ball	Stainless steel	—
Back tail	Brass	Ni
Ferrule	Annealed copper	Ni

Environmental

Temperature Range

$-40^{\circ}C \sim +85^{\circ}C$

RoHs Compliant

Yes