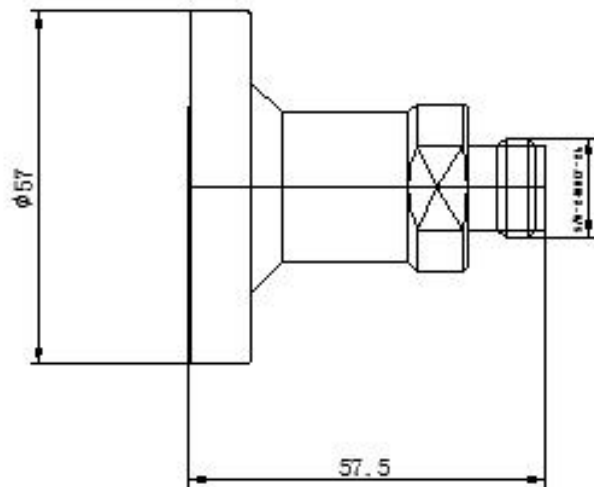
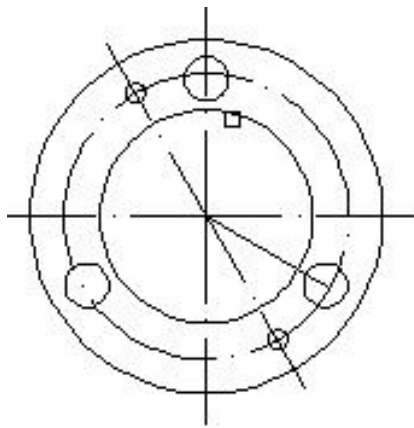


7/8" EIA Flange Connector to N Female Connector Adaptor



Interface

According to

7/8In EIA Flange

Electrical

Characteristic Impedance

50 ohm

Operating Frequency Range

DC-5GHz

VSWR

≤ 1.15 @DC-3000MHz

Dielectric Withstanding Voltage

≥ 6000 V RMS,50Hz,at sea level

Dielectric Resistance

≥ 5000 M Ω

Average Power

2.3KW@900MHz

Peak Power Maximum

90KW

Contact Resistance

Center Contact ≤ 1.5 m Ω

Outer Contact ≤ 1.5 m Ω

Mechanical

Durability

Mating cycles ≥ 500

Material and plating

	Material	Plating
Body	Brass	Ni
Insulator	PTFE	—
Center conductor	Phosphor bronze	Ag
Coupling Nut	Brass	Ni
Other Parts	Brass	Ni
Gasket	Silicone Rubber	—
Bolts and Washer	Stainless Steel	—

Environmental

Temperature Range

-40 $^{\circ}$ C ~ +85 $^{\circ}$ C

Weatherproof Rate

IP 67

RoHs Compliant