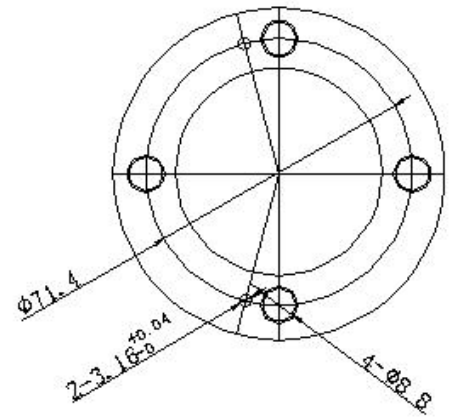
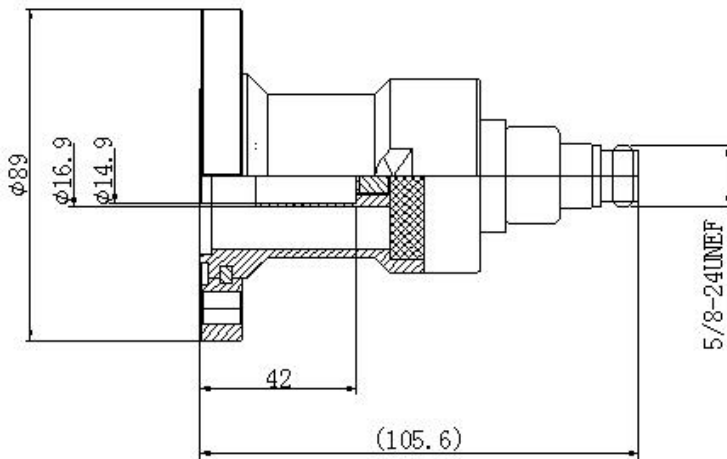


1-5/8" EIA Flange Connector to N Female Connector Adaptor (13/8EIA/N-JKA)



Interface

According to

1-5/8" EIA Flange/IEC60169-16

Electrical

Characteristic Impedance
 Operating Frequency Range
 VSWR
 Dielectric Withstanding Voltage
 Dielectric Resistance
 Average Power
 Peak Power Maximum
 Contact Resistance

50 ohm
 DC-3GHz
 $\leq 1.10 @ DC-1000MHz$
 $\geq 6000V \text{ RMS}, 50Hz, \text{ at sea level}$
 $\geq 5000M\Omega$
 $3.4 \text{ KW} @ 900MHz$
 90KW
 Center Contact $\leq 1.5m\Omega$
 Outer Contact $\leq 1.5m\Omega$

Mechanical

Durability

Mating cycles ≥ 500

Material and plating

	Material	Plating
Body	Brass	Ni
Insulator	PTFE	—
Center conductor	Phosphor bronze	Ag
Retaining ring	Phosphor bronze	Ni
Coupling nut	Brass	Ni
Gasket	Silicone rubber	—
Hardware kits	Stainless steel	—

Environmental

Operating Temperature Range
 Waterproof Rate
 RoHS Compliant

$-45^{\circ}C \sim +85^{\circ}C$
 IP 67
 Yes