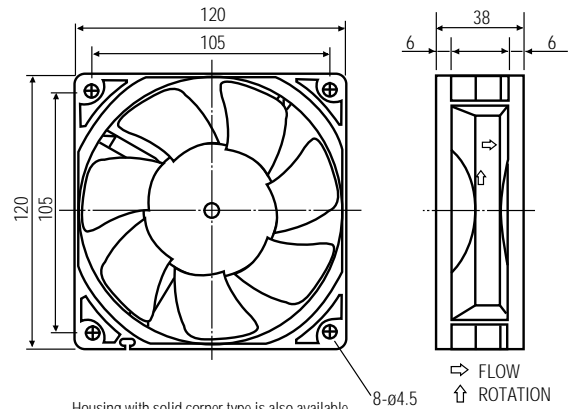
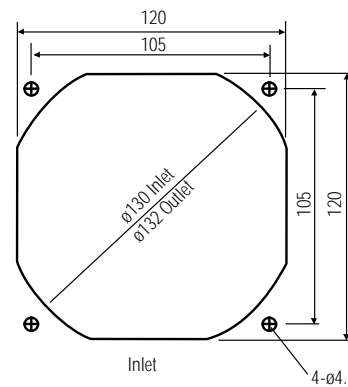


## FBA12G (120mm)



### CUT OUT

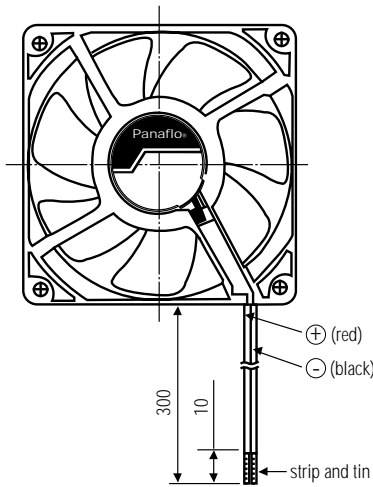


### Features

- Operating Temperature:  $-10^{\circ}\text{C}$  —  $+70^{\circ}\text{C}$  (65% RH)
- Storage Temperature:  $-40^{\circ}\text{C}$  —  $+75^{\circ}\text{C}$  (65% RH)
- Bearing Type: Hydro Wave
- Connector Type: Plug-In
- Aerodynamic blade and venturi design
- Locked rotor protection and auto-start function
- Lower circuit noise by new IC
- Optional third lead wire signal (Locked rotor alarm sensor, 2PPR)
- Easy value-add access to lead wires via plug-in connector on housing

### Basic Data (nominal at room temperature)

	Rated Voltage (V)	Operating Voltage (V)	Rated Current (mA)	Rated Input (W)	Nominal Speed (r/min)	Maximum Air Flow		Maximum Air Pressure		Noise (dB-A)
						(m <sup>3</sup> /min)	(CFM)	(mmH <sub>2</sub> O)	(Pa)	
FBA12G12L1A	12	7—13.8	180	2.16	1700	1.95	68.9	3.30	32.4	30.0
FBA12G12M1A	12	7—13.8	340	4.08	2100	2.45	86.5	4.80	47.1	35.5
FBA12G12H1A	12	7—13.8	460	5.52	2500	2.94	103.8	6.80	66.7	41.5
FBA12G12U1A	12	7—13.8	510	6.12	2750	3.25	114.7	8.0	78.0	45.5
FBA12G24L1A	24	14—27.6	110	2.64	1700	1.95	68.9	3.30	32.4	30.0
FBA12G24M1A	24	14—27.6	160	3.84	2100	2.45	86.5	4.80	47.1	35.5
FBA12G24H1A	24	14—27.6	230	5.52	2500	2.94	103.8	6.80	66.7	41.5



All dimensions in mm.

#### Lead Wire

All lead wires are 280 mm. in length  $\pm$  15 mm.

Housing and Fan Blade: Plastic (PET, PBT, ABS)

#### Size

120.0 x 120.0 x 38.0  
(4.72 x 4.72 x 1.50)

#### Weight

270 grams (9.52 ounces)

#### Case Quantity

40 per box

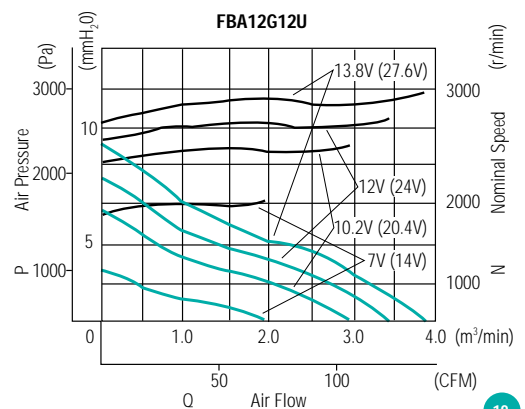
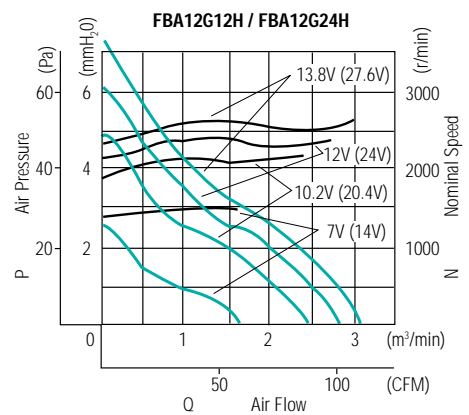
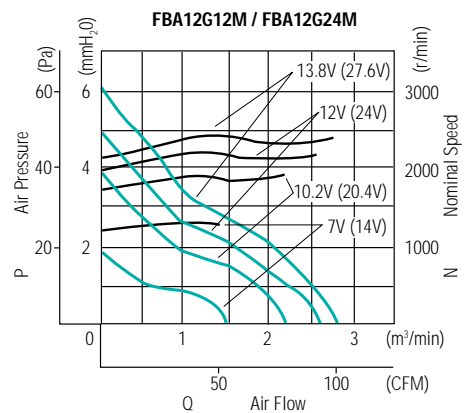
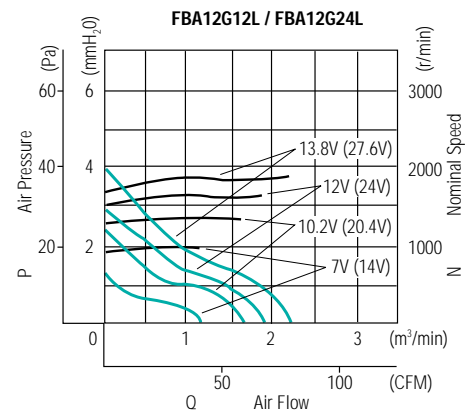
#### Conversion Factors

1 mm H<sub>2</sub>O = 9.8 PA

1 m<sup>3</sup>/min = 35.313 CFM

## FBA12G (120mm)

### Characteristics



— P—Q  
— N—Q