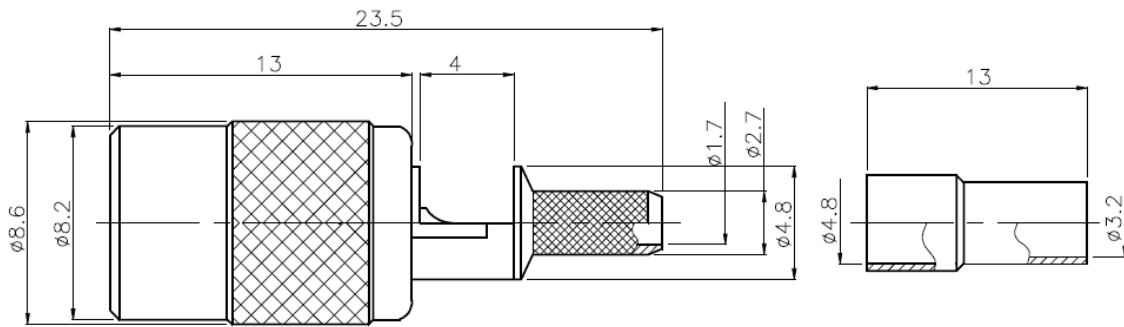


SMB Female(plug)Crimp Connector For RG179 Cable(SMB-C-K179)



Interface

According to

IEC 60169-10;CECC 22130;MIL-C-39012

Electrical

Characteristic Impedance

75 ohm

Typical Frequency Range

DC-2GHz

VSWR

$\leq 1.30@DC-1GHz$

Dielectric Withstanding Voltage

$\geq 1000V$ RMS,50Hz,at sea level

Dielectric Resistance

$\geq 1000M\Omega$

Contact Resistance

Center Contact $\leq 6m\Omega$

Outer Contact $\leq 1m\Omega$

Mechanical

Durability

Mating Cycles ≥ 500

Material and Plating

	Material	Plating
Body	Brass	Au
Insulator	PTFE(Teflon)	—
Center conductor	Phosphor copper	Au
Resilient contact	Phosphor bronze	Au
Ferrule	Annealed copper	Ni

Environmental

Operating Temperature Range

$-40^{\circ}C \sim +85^{\circ}C$

RoHS Compliant

Yes