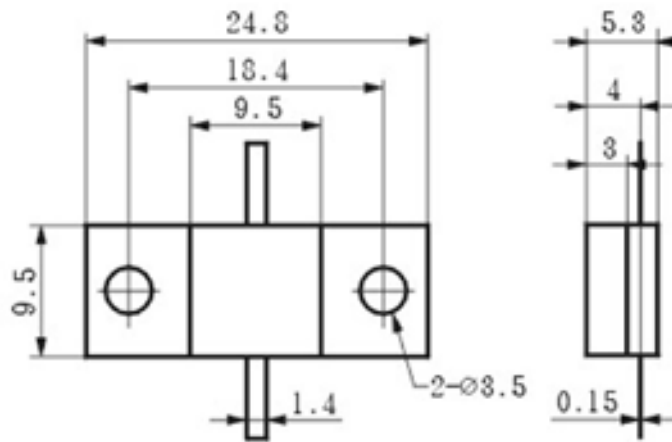
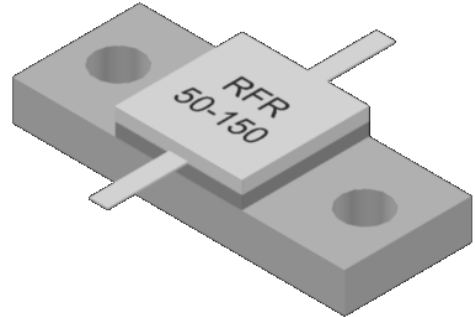




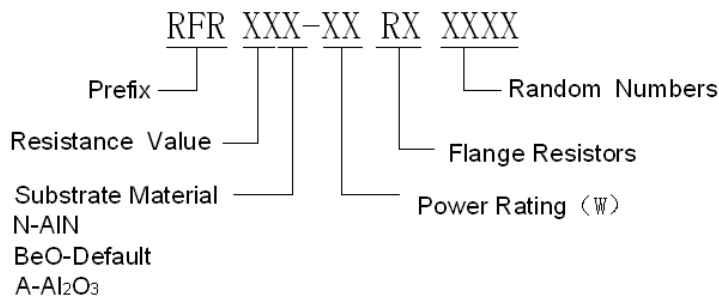
General Specifications

- ◆ Standard Resistance: 50 Ω
- ◆ Resistance Tolerance: ±5%
- ◆ Power Rating: 150W
- ◆ Frequency: DC-2GHz
- ◆ Operating Temperature range: -55 to +150°C
- ◆ Temperature Coefficient: <150ppm/°C
- ◆ Standard Lead Length: 6mm
- ◆ Substrate Material: BeO
- ◆ Rohs Compliant



尺寸單位: mm

Ordering Information



Power Derating

