



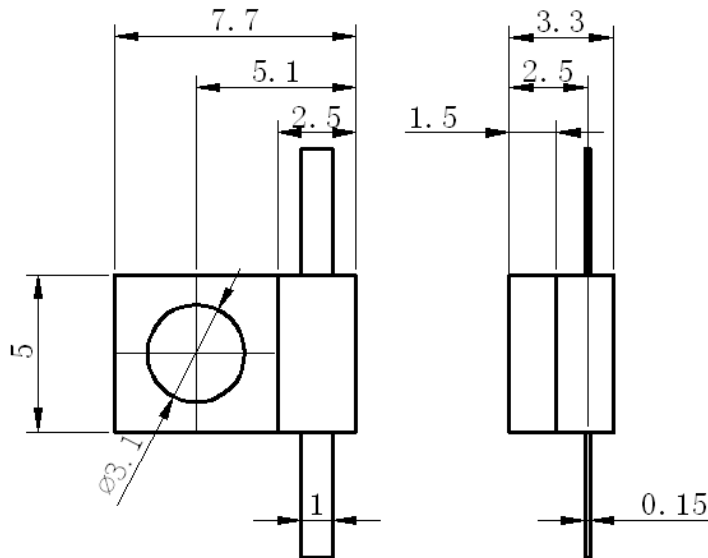
Flange Mount Resistor

YULONGTONG ELECTRON CO.,LTD

Model: RFR50-10RDN0308

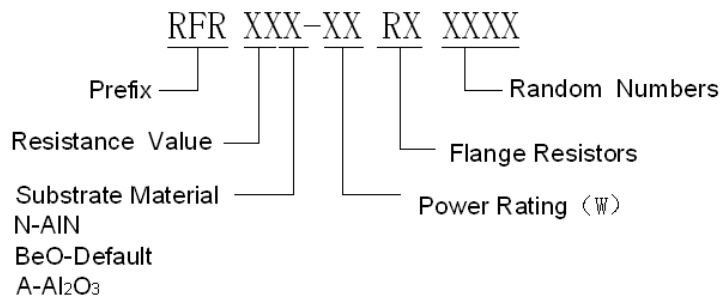
General Specifications

- ◆ Standard Resistance: 50 Ω
- ◆ Resistance Tolerance: ±5%
- ◆ Power Rating: 10W
- ◆ Frequency: DC-4GHz
- ◆ Operating Temperature range: -55 to +150°C
- ◆ Temperature Coefficient: <150ppm/°C
- ◆ Standard Lead Length: 4mm
- ◆ Substrate Material: BeO
- ◆ RoHS Compliant

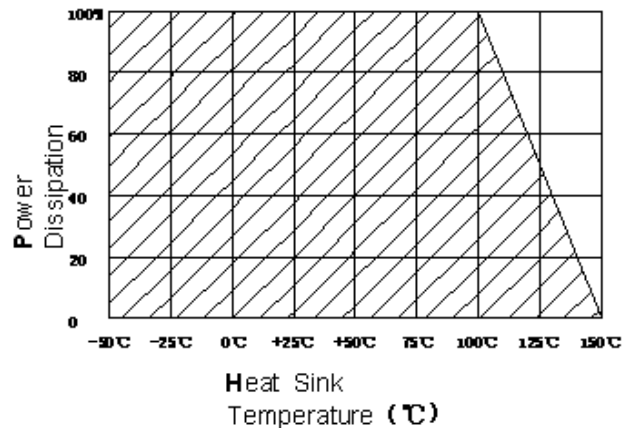


尺寸單位: mm

Ordering Information



Power Derating



Phone: 86755-26801033 Fax: 8675561104178

web:www.yulongtong.com/en email:exportyulongtong@gmail.com