

## I-7561 Pin Assignment and Specifications



### Introduction

**The I-7561** is a cost-effective module for transfer serial data over USB. It allows you to connect your serial devices to systems using a USB interface. Connecting the **I-7561** to a PC, you get one extra high-speed RS-232/422/485 ports. Like our I-7520A, the I-7561 contains “ Self Tuner “ This chip auto-tunes the baud rate and data format to the RS-485 network. The I-7561 module derives the power from the USB port and doesn't need any power adapter (when you use I-7561, you should connect power ground to other modules). It also features a high-speed 115.2 Kb/s transmission rate, and supports various O.S. independent RS-232/422/485 Ports.

## Specifications

Compatibility: USB 1.1 standard

Input port: USB

Output port: 3-wire RS-232, RS-422, RS-485.

Cable: USB type A connector (Type A to Type B cable provided).

Isolation voltage: 3000VDC

“Self Tuner” inside, support multiple Baud Rate and multiple Data

Format

Auto switching baud rate, 300~115.2K bps

256 modules max. in one RS-422/485 network without repeater

Isolation voltage: 3000VDC

Repeater request: 4,000 feet or over 256 modules

Communication distance:

1.2Km/9600 Bps, 2.7Km/4800 Bps, 3.6Km/2400 Bps

Power requirements: Voltage support by USB interface of the host-PC.

Power consumption: 1.5 W max.

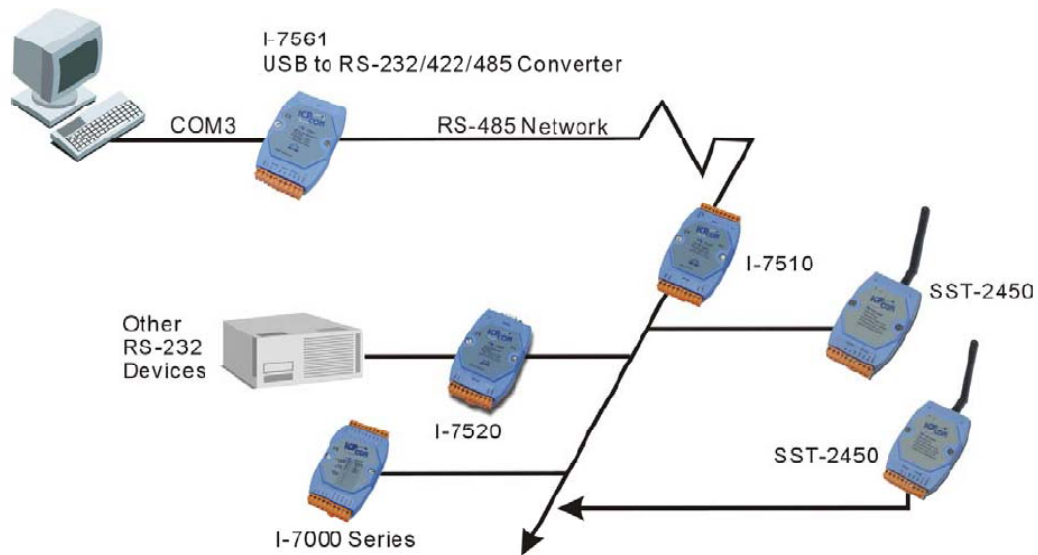
Operation temperature:-25 to +75

Storage temperature: -25 to +80

Humidity: 5~ 95%

**Driver Supported:** Windows 98/ME/2000, XP, Linux, MacOS

The I-7561 System Network Configuration:  
 Multiple Baud Rate  
 Multiple Data Format



The I-7561 Block Diagram:

