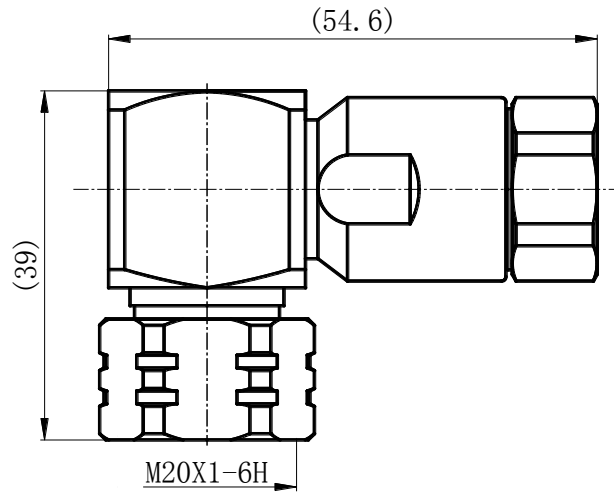


SPECIFICATION

Screw Type 4.3/10 Male R/A for 1/2 " Super Flexible cable

4.3/10-JW1/2S



Dimensions are in millimeters

Interface

According to IEC 61169-54

Electrical

Characteristic Impedance	50 ohm
Frequency Range	DC-6GHz
VSWR	(DC-3GHz) ≤ 1.10 (3-6GHz) ≤ 1.25
PIM (@2-tonex20w)	≤ -165dBC
Dielectric Withstanding Voltage	≥ 2500V RMS,50Hz,at sea level
Dielectric Resistance	≥ 5000MΩ
Contact Resistance	Center Contact ≤ 1.0mΩ Outer Contact ≤ 1.0mΩ

Mechanical

Durability Mating cycles ≥ 500 cycles

Material and plating

	Material	plating
Body	Brass	Tri-Alloy
Insulator	PTFE	-
Center conductor	Phosphor bronze	Ag
Other	Brass	Ni

Environmental

Temperature Range	-40°C ~ +85°C
Watertightness	IP68
Rosh-compliance	Full ROHS compliance
Salt-fog test	96h