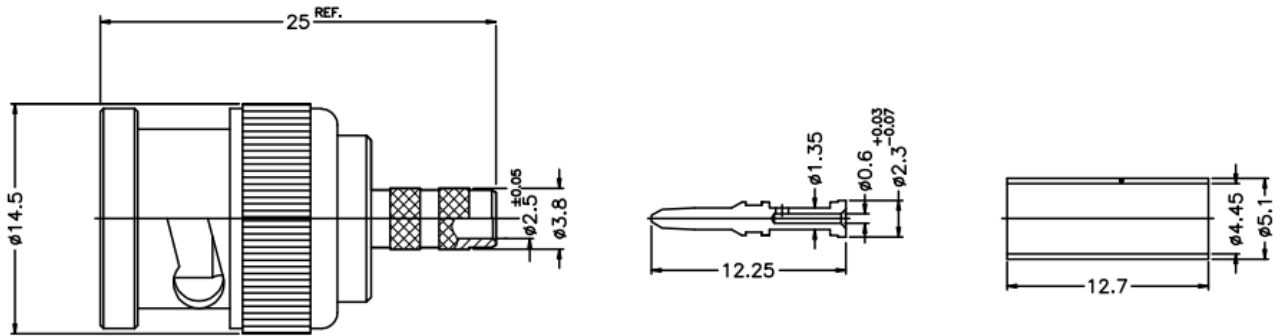


BNC Male Crimp Connector For Flex-3 Cable(BNC-C-Jflex-3B)



Interface

According to

IEC 60169-8

Electrical

Characteristic Impedance

75 ohm

Frequency Range

DC-4GHz

VSWR

$\leq 1.30 @ DC-1000MHz$

Dielectric Withstanding Voltage

$\geq 1500V$ RMS,50Hz,at sea level

Dielectric Resistance

$\geq 5000M\Omega$

Contact Resistance

Center Contact $\leq 1.5m\Omega$

Outer Contact $\leq 1.0 m\Omega$

Mechanical

Durability

Mating cycles ≥ 500

Material and plating

	Material	Plating
Body	Brass	Ni
Insulator	PTFE(Teflon)	—
Center conductor	Brass	Au
Coupling bayonet	Brass	Ni
Washer	Brass	Ni
Crimp ferrule	Annealed copper	Ni
Gasket	Silicone rubber	—

Environmental

Temperature Range

$-40^{\circ}C \sim +85^{\circ}C$

RoHs Compliant