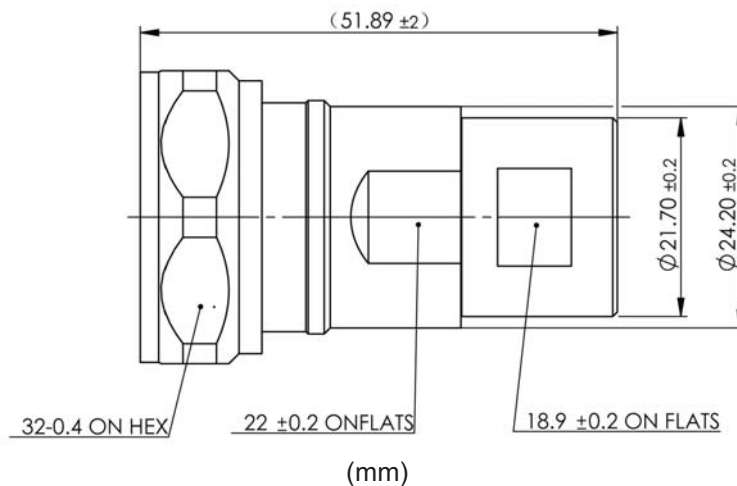


AFB5-8

7/16 DIN Male for 1/2" Coaxial Cable

Reference Standard: IEC60169-4

Electrical Characteristics		
Frequency range	DC-5GHz	
Return loss	824-894 MHz	≥ 35 dB
	890-960 MHz	≥ 35 dB
	1710-1880 MHz	≥ 32 dB
	1920-2170 MHz	≥ 32 dB
Insertion loss	≤ 0.05 dB	
PIM (2x43dBm)	≤ -115 dBm	
Insulation resistance	> 5000 MΩ	
Work voltage	2500 V	
Conductor resistance - Outer conductor	< 1.5 mΩ	
Conductor resistance - Inner conductor	< 0.8 mΩ	
Impedance	50±2Ω	
Environmental Characteristics		
Temperature range	-40° to +85° C (-40° to +185° F)	
Weather standard	IEC 60068 40 / 085 / 21	
Waterproofing standard	IP68	
Thermal shock	IEC 60068-2-14-Na	
Vibration	IEC 60068-2-6-Fc	
Shock	IEC 60068-2-27	
RoHS compliant	Yes	
Mechanical Characteristics		
Nut torque	25N.m	
Whorl pull (nut)	1000N	
Tensile force (cable-connect)	500N	
Torsion (cable-connect)	5N.m	
Assembly	Inner and outer conductor installed	
Material and Plating		
	Material	Plating
Inner conductor	Spring copper	Ag5μm
Outer conductor	Brass	Copper-tin-zinc2μm
Nut	Brass	Ni5μm
Insulator	TPX	---



Quoted performance parameters are provided to offer typical or range values only and may vary as a result of normal manufacturing and operational conditions. Extreme operational conditions and/or stress on structural supports is beyond our control. Such conditions may result in damage to this product. Improvements to product may be made without notice.