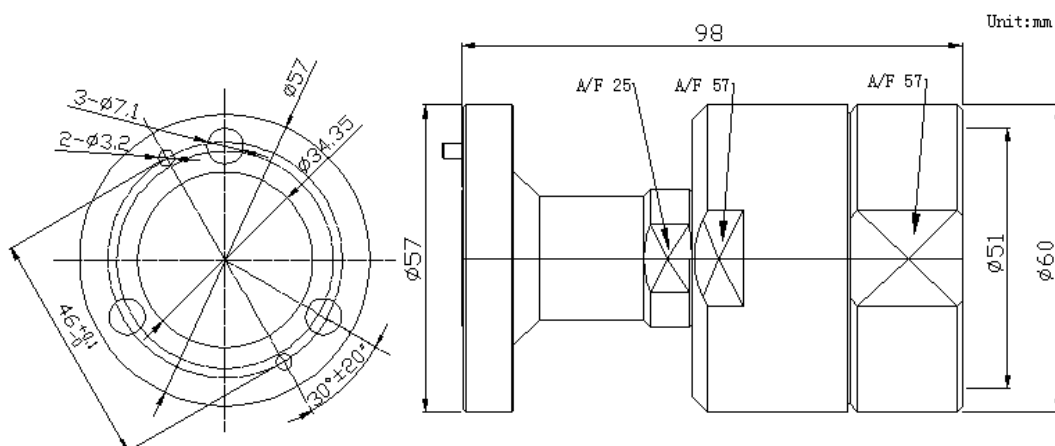


7/8" EIA (Flange) Connector For 1-5/8" Foam Feeder(Flexible) Cable(7/8EIA-J13/8E2)

(Contact attachment:Inner:captivated;Outer:clamp)



Interface

According to

IEC 60339-2

Electrical

Characteristic Impedance

50 ohm

Operating Frequency Range

DC-5GHz

VSWR

≤ 1.07 @DC-1000MHz; ≤ 1.25 @DC-2500MHz

Dielectric Withstanding Voltage

≥ 6000 V RMS,50Hz,at sea level

Working Voltage

≤ 2100 V RMS,50Hz,at sea level

Dielectric Resistance

≥ 5000 M Ω

Average Power

2.3KW@900MHz

Peak Power Maximum

90KW

Contact Resistance

Center Contact ≤ 1.5 m Ω

Outer Contact ≤ 1.5 m Ω

Mechanical

Durability

Mating cycles ≥ 100

Material and plating

	Material	Plating
Body	Brass	Ni
Insulator	PTFE	—
Center conductor	Brass/Phosphor bronz	Ag
Coupling flange	Brass	Ni
Shield clamp	Brass	Ni
Back nut	Brass	Ni
Gasket	Silicone rubber	—
Hardware kits	Stainless steel	—

Environmental

Temperature Range

-45°C ~ +85°C

Protection Rate

IP 67

RoHS

Compliant

Notes: Suited Cable: Commscope AVA7-50,LDF7-50,VXL-50;RFS LCF158-50,Hansen1-5/8",Leoni 1-5/8"R,Eupen EC7-50

One coupling element(bullet) is available; Hardware kits include:3 pieces of each bolt, nut, lock washer and flat washer.