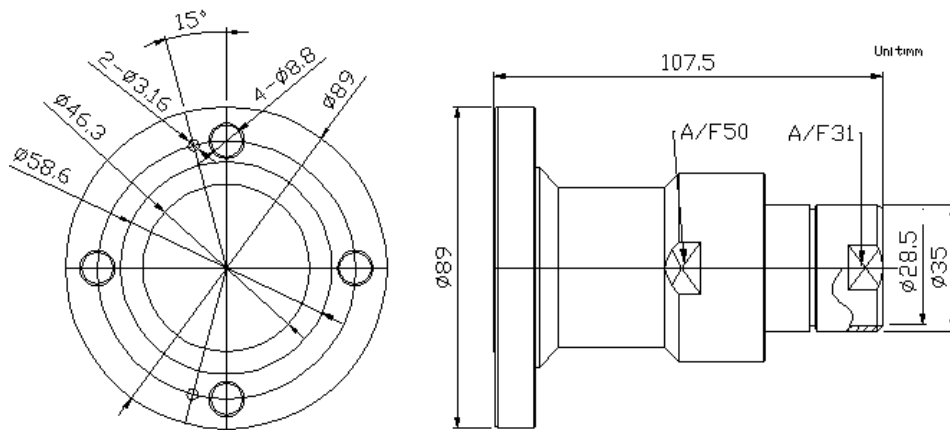


# 1-5/8" EIA (Flange) Connector For 7/8" Foam Feeder (Flexible) Cable (13/8 EIA-J7/8)

(Contact attachment: Inner: captivated; Outer: clamp)



## Interface

According to

IEC 60339-2

## Electrical

Characteristic Impedance

50 ohm

Operating Frequency Range

DC-3GHz

VSWR

$\leq 1.07$  @ DC-1000MHz

Dielectric Withstanding Voltage

$\geq 6000$  V RMS, 50Hz, at sea level

Working Voltage

$\leq 2100$  V RMS, 50Hz, at sea level

Dielectric Resistance

$\geq 5000$  M $\Omega$

Average Power

3.4KW @ 900MHz

Peak Power Maximum

90KW

Contact Resistance

Center Contact  $\leq 1.5$  m $\Omega$

Outer Contact  $\leq 1.5$  m $\Omega$

## Mechanical

Durability

Mating cycles  $\geq 100$

## Material and plating

|                  | Material              | Plating |
|------------------|-----------------------|---------|
| Body             | Brass                 | Ni      |
| Insulator        | PTFE                  | —       |
| Center conductor | Brass/Phosphor bronze | Ag      |
| Coupling flange  | Brass                 | Ni      |
| Back nut         | Brass                 | Ni      |
| Cable clamp      | Brass                 | Ni      |
| Gasket           | Silicone rubber       | —       |
| Hardware kits    | Stainless steel       | —       |

## Environmental

Operating Temperature Range

-45°C ~ +85°C

Protection Rate

IP 67

RoHS

Compliant

Notes: Suited cable: Commscope LDF5-50, AL5-50, RFS LCF78-50; Leoni 7/8" R, Hansen 7/8", Eupen EC5-50

One coupling element (bullet) is available; Hardware kits include: 4 pieces of each bolt, nut, lock washer and flat washer.