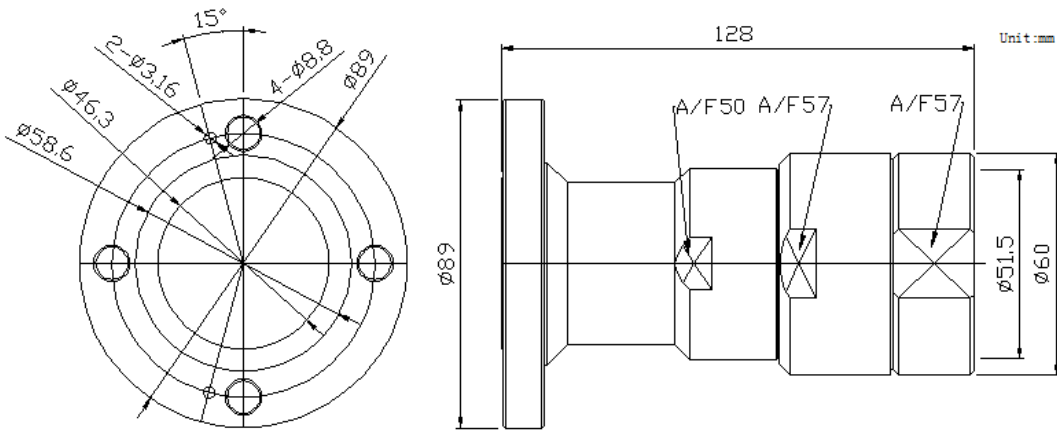


# 1-5/8" EIA (Flange) Connector For 1-5/8" Foam Feeder(Flexible) Cable<sup>(13/8EIA-J13/8)</sup>

(Contact attachment:Inner:captivated ;Outer:clamp)



## Interface

According to

IEC 60339-2

## Electrical

Characteristic Impedance

50 ohm

Operating Frequency Range

DC-3GHz

VSWR

≤1.07@DC-1000MHz

Dielectric Withstanding Voltage

≥6000V RMS,50Hz,at sea level

Working Voltage

≤2100V RMS,50Hz,at sea level

Dielectric Resistance

≥5000MΩ

Average Power

7.0KW@900MHz

Peak Power Maximum

90KW

Contact Resistance

Center Contact ≤1.5mΩ

Outer Contact ≤1.5mΩ

## Mechanical

Durability

Mating cycles≥100

## Material and plating

	Material	Plating
Body	Brass	Ni
Insulator	PTFE	—
Center conductor	Brass/Phosphor bronze	Ag
Coupling flange	Brass	Ni
Back nut	Brass	Ni
Cable clamp	Brass	Ni
Gasket	Silicone rubber	—
Hardware kits	Stainless steel	—

## Environmental

Operating Temperature Range

-45°C ~ +85°C

Protection Rate

IP 67

RoHS

Compliant

Notes: Suited Cable:Commscope AVA7-50,LDF7-50,VXL-50;RFS LCF158-50,Hansen1-5/8",Leoni 1-5/8"R,Eupen EC7-50

One coupling element(bullet) is available; Hardware kits include:4 pieces of each bolt, nut, lock washer and flat washer.